

По вопросам продаж и поддержки обращайтесь:

| | | |
|-----------------------------|---------------------------------|--------------------------------|
| Архангельск (8182)63-90-72 | Краснодар (861)203-40-90 | Рязань (4912)46-61-64 |
| Астана (7172)727-132 | Красноярск (391)204-63-61 | Самара (846)206-03-16 |
| Белгород (4722)40-23-64 | Курск (4712)77-13-04 | Санкт-Петербург (812)309-46-40 |
| Брянск (4832)59-03-52 | Липецк (4742)52-20-81 | Саратов (845)249-38-78 |
| Владивосток (423)249-28-31 | Магнитогорск (3519)55-03-13 | Смоленск (4812)29-41-54 |
| Волгоград (844)278-03-48 | Москва (495)268-04-70 | Сочи (862)225-72-31 |
| Вологда (8172)26-41-59 | Мурманск (8152)59-64-93 | Ставрополь (8652)20-65-13 |
| Воронеж (473)204-51-73 | Набережные Челны (8552)20-53-41 | Тверь (4822)63-31-35 |
| Екатеринбург (343)384-55-89 | Нижний Новгород (831)429-08-12 | Томск (3822)98-41-53 |
| Иваново (4932)77-34-06 | Новокузнецк (3843)20-46-81 | Тула (4872)74-02-29 |
| Ижевск (3412)26-03-58 | Новосибирск (383)227-86-73 | Тюмень (3452)66-21-18 |
| Казань (843)206-01-48 | Орел (4862)44-53-42 | Ульяновск (8422)24-23-59 |
| Калининград (4012)72-03-81 | Оренбург (3532)37-68-04 | Уфа (347)229-48-12 |
| Калуга (4842)92-23-67 | Пенза (8412)22-31-16 | Челябинск (351)202-03-61 |
| Кемерово (3842)65-04-62 | Пермь (342)205-81-47 | Череповец (8202)49-02-64 |
| Киров (8332)68-02-04 | Ростов-на-Дону (863)308-18-15 | Ярославль (4852)69-52-93 |

Единый адрес: btk@nt-rt.ru **Веб-сайт:** www.burkert.nt-rt.ru

Электромагнитные клапаны для нейтральных и слабоагрессивных сред Burkert



2/2-way Solenoid Valve for neutral media

- Direct acting
- With hermetic isolation of fluid
- With manual override
- NC and NO circuit function
- Optional with electrical position feedback

Type 0223 can be combined with...



Type 2508

Cable plug



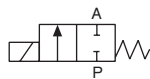
Type 1078

Timer unit

The direct-acting valve, Type 0223, is delivered with circuit function, normally closed and normally open. The solenoid actuator is separated from the medium by a double PTFE seal with a small ventilated space. The valve is used for shut-off, dosing, filling and ventilating medium where low pressures are applicable; also suitable for use in technical vacuum.

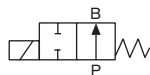
Circuit function A

2/2-way normally closed valve, direct acting,



Circuit function B

2/2-way normally open valve, direct acting,



| Technical data | |
|---|---|
| Body material | Brass |
| Seal materials | NBR, FKM |
| Medium with NBR with FKM | Neutral liquids e.g. compressed air, water, hydraulic oil, oils and fats without additives, technical vacuum Hot air, per-solution, hot oil, oils with additives, technical Vacuum |
| Medium temperature with NBR with FKM | -10 up to +90 °C -10 up to +130 °C |
| Ambient temperature | Max. +50 °C |
| Viscosity | 100 to 21 mm ² /s |
| Operating voltages | 24/230 V 50 Hz 24/230 V UC 230 V UC Other Voltages on request |
| Voltage tolerance | ±10% |
| Cycling rate | Max. 6/min with UC |
| Duty cycle | ED 100% |
| Electrical connection | Cable Plug (supplied as standard) |
| Protection class | IP65 with Cable Plug |
| Coil insulation class | H |
| Installation | As required, preferably with actuator upright |
| Response times [ms]: Opening Closing | Measured at valve outlet at 6 bar and +20°C. Pressure relief 0 90% Pressure relief 100 to 10% |

Flow rate: Kv value water [m³/h]

Measured at +20 °C, 1 bar pressure at valve inlet and free outlet.

Pressure values [bar]

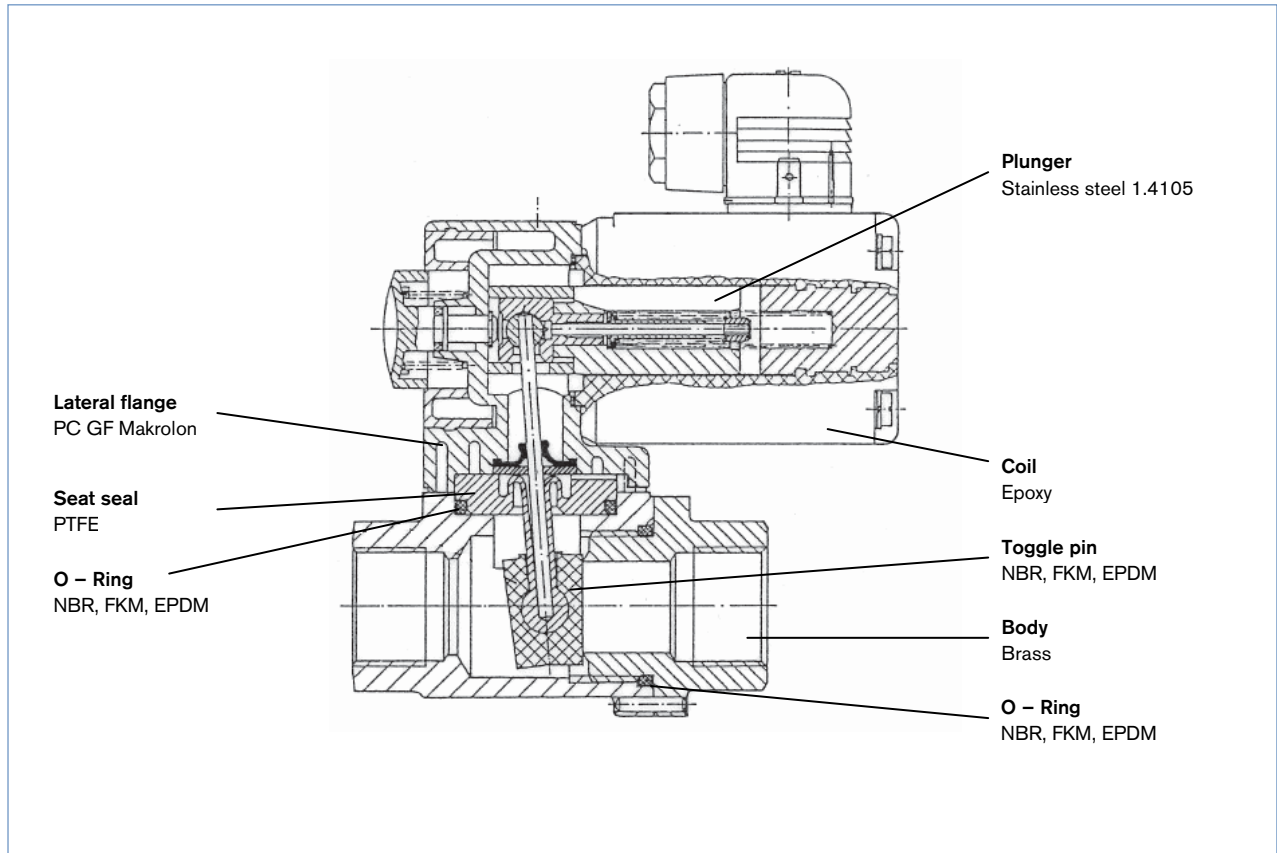
Measured as overpressure to the atmospheric pressure

Technical data (fort.)

| Orifice [mm] | Kv value water [m ³ /h] | Port connection | Pressure range [bar] | Electrical power consumption | | | Response times | | Weight [kg] |
|-----------------|---------------------------------------|-----------------|-------------------------|------------------------------|-----------------|--------------------|----------------|----------|----------------|
| | | | | Inrush | [VA] | Opening | closed | | |
| 10 | 2.0 | G 3/8 | 0-3 | AC UC | 100 VA 100 W | 48 VA (16 W)9 W | 10 to 20 | 40 to 60 | 1.4 |
| 15 | 4.5 | G 1/2 | 0-1 | | | | | | |
| 20 | 6.0 | G 3/4 | 0-0.5 * | | | | | | |

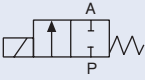
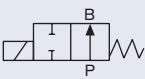
* not suitable for vakuüm operations

Materials



Ordering chart for valves (other versions on request)

All valves with manual override, brass body, and with cable plug

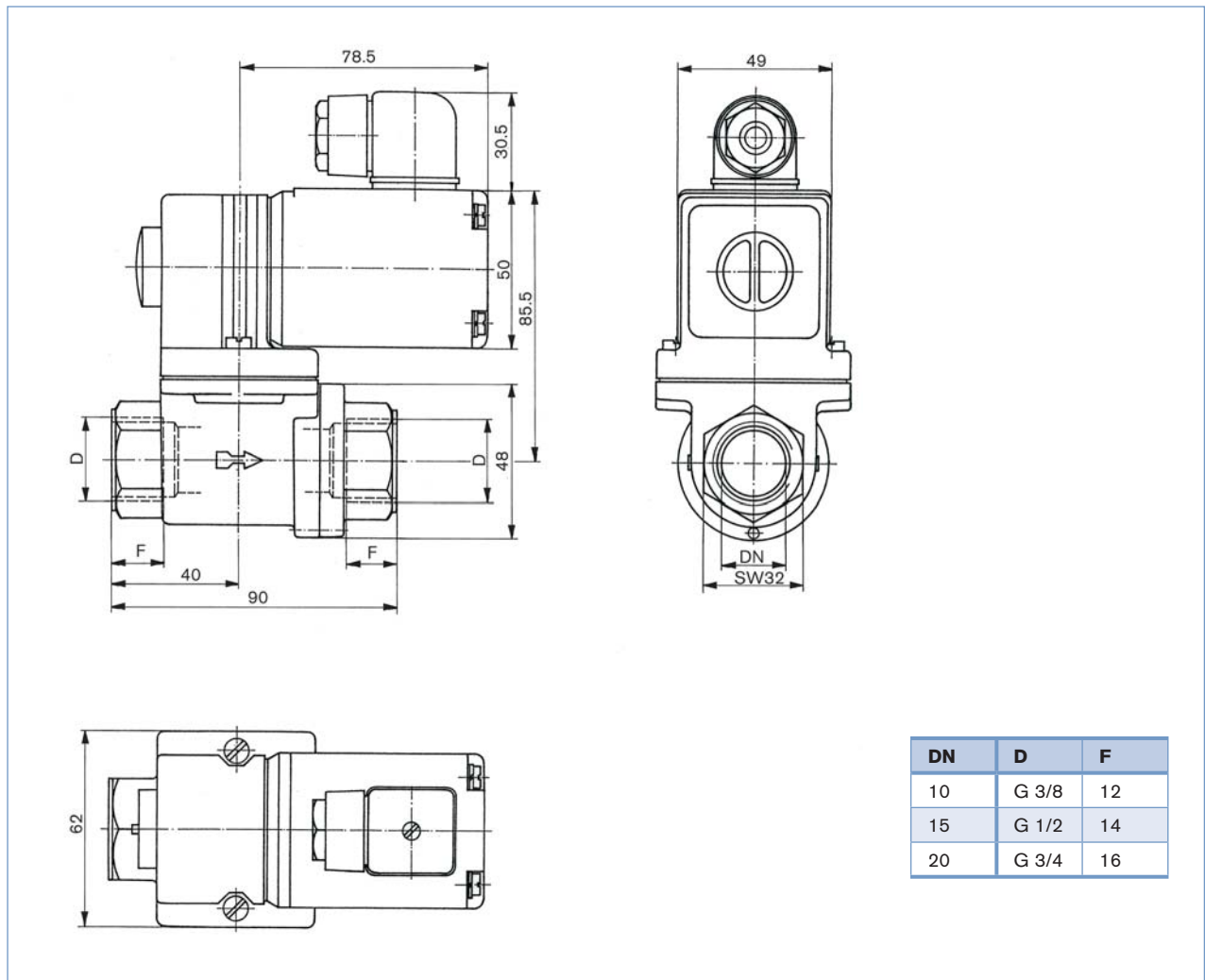
| Circuit function | Orifice [mm] | Port connection | Kv value water [m ³ /h] | Pressure range [bar] | Seal material | Voltage/Frequency [V/Hz] | Item no. |
|---|--------------|-----------------|------------------------------------|----------------------|---------------|--------------------------|----------|
| A  | 10 | G 3/8 | 2.0 | 0-3 | NBR | 24/UC | 057 475 |
| | | | | | | 24/50 | 043 047 |
| | | | | | | 230/50 | 053 059 |
| | | | | | FKM | 24/UC | 054 053 |
| | | | | | | 24/50 | 048 664 |
| | | | | | | 230/50 | 044 502 |
| | 15 | G 1/2 | 4.5 | 0-1 | NBR | 24/UC | 054 102 |
| | | | | | | 24/50 | 062 865 |
| | | | | | | 230/50 | 052 221 |
| | | | | | FKM | 24/UC | 025 537 |
| | | | | | | 230/50 | 040 549 |
| | | | | | | 230/50 | 040 549 |
| 20 * | G 3/4 | 6.0 | 0-0.5 | NBR | 24/UC | 049 751 | |
| | | | | | 24/50 | 063 602 | |
| | | | | | 230/50 | 048 490 | |
| | | | | FKM | 24/UC | 069 752 | |
| | | | | | 24/50 | 048 662 | |
| | | | | | 230/50 | 048 622 | |
| B  | 10 | G 3/8 | 2.0 | 0-2 | NBR | 24/UC | 059 208 |
| | | | | | | 230/50 | 051 685 |
| | | | | | | 230/50 | 051 685 |
| | | | | | FKM | 24/UC | 062 679 |
| | | | | | | 230/50 | 057 458 |
| | | | | | | 230/50 | 057 458 |
| | 15 | G 1/2 | 4.5 | 0-1 | NBR | 24/UC | 058 371 |
| | | | | | | 230/50 | 046 466 |
| | | | | | | 230/50 | 046 466 |
| | | | | | FKM | 24/UC | 059 360 |
| | | | | | | 230/50 | 122 747 |
| | | | | | | 230/50 | 122 747 |
| 20 * | G 3/4 | 6.0 | 0-0.5 | NBR | 24/UC | 050 461 | |
| | | | | | 230/50 | 053 807 | |
| | | | | | 230/50 | 053 807 | |
| | | | | FKM | 24/UC | 067 856 | |
| | | | | | 230/50 | 049 527 | |
| | | | | | 230/50 | 049 527 | |

* versions with orifice 20mm are not suitable for vacuum

 Further versions on request

 Electrical connection
with electrical position feedback

Dimensions [mm]



To find your nearest Bürkert facility, click on the orange box →

In case of special application conditions,
please consult for advice.

Subject to alterations
© Christian Bürkert GmbH & Co. KG

0905/1_EU-en_00895106

