

**По вопросам продаж и поддержки обращайтесь:**

|                             |                                 |                                |
|-----------------------------|---------------------------------|--------------------------------|
| Архангельск (8182)63-90-72  | Краснодар (861)203-40-90        | Рязань (4912)46-61-64          |
| Астана (7172)727-132        | Красноярск (391)204-63-61       | Самара (846)206-03-16          |
| Белгород (4722)40-23-64     | Курск (4712)77-13-04            | Санкт-Петербург (812)309-46-40 |
| Брянск (4832)59-03-52       | Липецк (4742)52-20-81           | Саратов (845)249-38-78         |
| Владивосток (423)249-28-31  | Магнитогорск (3519)55-03-13     | Смоленск (4812)29-41-54        |
| Волгоград (844)278-03-48    | Москва (495)268-04-70           | Сочи (862)225-72-31            |
| Вологда (8172)26-41-59      | Мурманск (8152)59-64-93         | Ставрополь (8652)20-65-13      |
| Воронеж (473)204-51-73      | Набережные Челны (8552)20-53-41 | Тверь (4822)63-31-35           |
| Екатеринбург (343)384-55-89 | Нижний Новгород (831)429-08-12  | Томск (3822)98-41-53           |
| Иваново (4932)77-34-06      | Новокузнецк (3843)20-46-81      | Тула (4872)74-02-29            |
| Ижевск (3412)26-03-58       | Новосибирск (383)227-86-73      | Тюмень (3452)66-21-18          |
| Казань (843)206-01-48       | Орел (4862)44-53-42             | Ульяновск (8422)24-23-59       |
| Калининград (4012)72-03-81  | Оренбург (3532)37-68-04         | Уфа (347)229-48-12             |
| Калуга (4842)92-23-67       | Пенза (8412)22-31-16            | Челябинск (351)202-03-61       |
| Кемерово (3842)65-04-62     | Пермь (342)205-81-47            | Череповец (8202)49-02-64       |
| Киров (8332)68-02-04        | Ростов-на-Дону (863)308-18-15   | Ярославль (4852)69-52-93       |

**Единый адрес:** [btk@nt-rt.ru](mailto:btk@nt-rt.ru) **Веб-сайт:** [www.burkert.nt-rt.ru](http://www.burkert.nt-rt.ru)

## **ЭЛЕКТРОМАГНИТНЫЕ КЛАПАНЫ**



### Direct-acting 2/2 way lifting armature valve

- Push-over solenoid system
- NC valves, certified in accordance with DIN EN ISO 23553 - 1
- Return valve for liquid fuels
- IP65

Product variants described in the data sheet may differ from the product presentation and description.

#### Can be combined with



**Type 2518** ▶  
Cable Plug  
DIN EN 175301 - 803 -  
Form A

## 1. General technical data

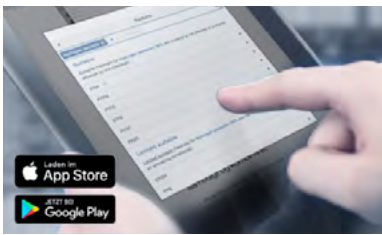
| Product properties                      |   |
|---|---|
| Dimensions                              | Detailed information can be found in chapter "4. Dimensions" on page 5.   |
| Material                                |   |
| Seal                                    | Seat: PTFE<br>Housing: FKM  |
| Body                                    | Stainless steel   |
| Coil                                    | Epoxy   |
| Nominal diameter                        | DN 20   |
| Circuit function                        | Detailed information can be found in chapter "2. Circuit functions" on page 3.  |
| Thermal insulation class of solenoid    | H   |
| Electrical data                         |   |
| Operating voltage                       | 110 V/50 Hz, 230 V/50 Hz others on request  |
| Duty cycle                              | Continuous operation 100 % ED   |
| Medium data                             |   |
| Medium temperature                      | 0 °C...160 °C   |
| Operating medium                        | Heating oil (EL, L, M, S) acc. to DIN 51603 part 1-6<br>Shipping fuels acc. to ISO 8217<br>Only with stainless steel body: Fatty acid methyl esters (FAME) acc. to DIN EN 14213<br>Rapeseed oil acc. to DIN V 51605 |
| Viscosity (max.)                        | 1.6...76 mm <sup>2</sup> /s   |
| Process/Port connection & communication |   |
| Port connection                         | G 3/4   |
| Electrical connection                   | Acc. to DIN EN 175301 -803 Form A   |
| Approvals and certificates              |   |
| Degree of protection                    | IP65  |
| DIN CERTCO registration (DN 20)         | Reg. No.: 5S255   |
| Environment and installation            |   |
| Installation position                   | Any, preferably actuator face up  |
| Ambient temperature                     | -15 °C...+60 °C   |

## 2. Circuit functions

| Circuit functions   | Description  |
|---|--|
|  | <b>Type: A, solenoid valve</b><br>2/2 way<br>Servo-controlled<br>Normally closed |

### 3. Materials

#### 3.1. Chemical Resistance Chart – Bürkert resistApp



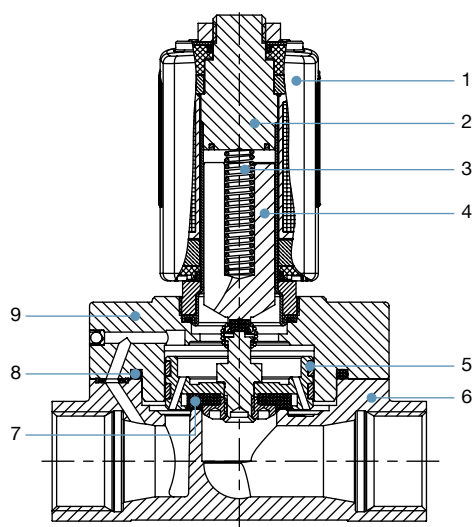
**Bürkert resistApp – Chemical Resistance Chart**

You want to ensure the reliability and durability of the materials in your individual application case? Verify your combination of media and materials on our website or in our resistApp.

[Start Chemical Resistance Check](#)

#### 3.2. Material specifications

DN 20 version



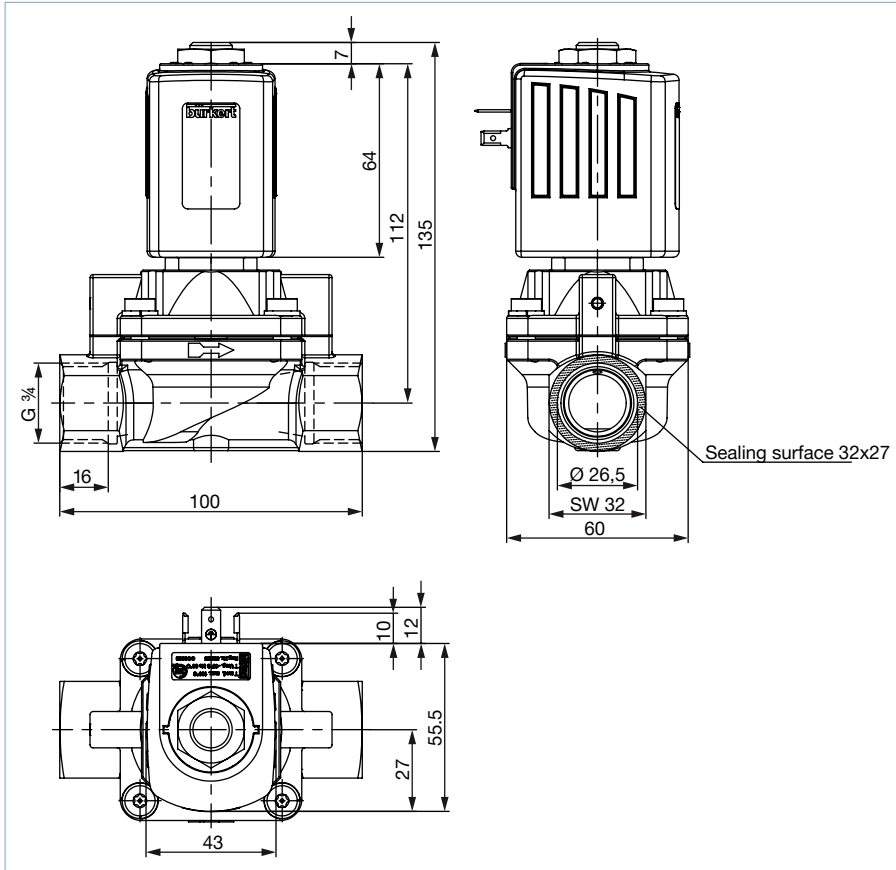
| No. | Element     | Material               |
|-----|-------------|------------------------|
| 1   | Coil        | Epoxy                  |
| 2   | Stopper     | 1.4113                 |
| 3   | Spring      | 1.4310                 |
| 4   | Core        | 1.4113                 |
| 5   | Piston seal | PTFE/graphite          |
| 6   | Valve body  | Stainless steel 1.4581 |
| 7   | Seal        | PTFE                   |
| 8   | Seal ring   | FKM                    |
| 9   | Cover       | Stainless steel 1.4581 |

## 4. Dimensions

### 4.1. DN 20 version

**Note:**

Dimensions in mm



## 5. Ordering information

### 5.1. Bürkert eShop – Easy ordering and quick delivery




#### Bürkert eShop – Easy ordering and fast delivery

You want to find your desired Bürkert product or spare part quickly and order directly? Our online shop is available for you 24/7. Sign up and enjoy all the benefits.

[Order online now](#)

### 5.2. Bürkert product filter



**Bürkert product filter – Get quickly to the right product**

You want to select products comfortably based on your technical requirements? Use the Bürkert product filter and find suitable articles for your application quickly and easily.

[Try out our product filter](#)

### 5.3. Ordering chart

#### Feed line valve/return line valve combinations

If the oil burner is designed with a return nozzle and without a nozzle shut-off valve (see DIN EN 267), the feed line and return line valves with safety shut-off function are required. The following combinations are possible:

| Feed line valve     |              |                       |                                   | Return line valve   |              |                       |                                   |
|---------------------|--------------|-----------------------|-----------------------------------|---------------------|--------------|-----------------------|-----------------------------------|
| Type                | Orifice [mm] | Housing material      | K <sub>v</sub> value water [m³/h] | Type                | Orifice [mm] | Housing material      | K <sub>v</sub> value water [m³/h] |
| 6027                | 3            | Brass/stainless steel | 0.22                              | 6027                | 3            | Brass/stainless steel | 0.18                              |
| 6027                | 3.5          | Brass/stainless steel | 0.38                              | 6027                | 3.5          | Brass/stainless steel | 0.35                              |
| 5406 <sup>1.)</sup> | 13           | Brass                 | 3.5                               | 6027                | 10           | Brass                 | 1.8                               |
| 5406 <sup>1.)</sup> | 20           | Stainless steel       | 6.3                               | 5407 <sup>2.)</sup> | 20           | Stainless steel       | 4.7                               |

1.) See data sheet **Type 6027** ▶ solenoid valve safety shut off valve for oil burner

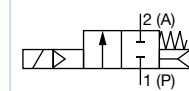
2.) See data sheet **Type 5406** ▶ solenoid valve safety shut off valve for oil burner

**Note:**

Further versions with alternative voltages, frequencies and thread connections on request.

| Circuit function   | Port connection | Orifice [mm] | K <sub>v</sub> value water [m³/h] | Applications | Body material   | Max. medium pressure (Oil) [bar] | Electrical power |           | Article no. acc. to voltage/frequency [V/Hz] |          |
|--|-----------------|--------------|-----------------------------------|--------------|-----------------|----------------------------------|------------------|-----------|--|----------|
|  |                 |              |                                   |              |                 |                                  | AC               | Operation |  |          |
|  |                 |              |                                   |              |                 |                                  |                  | Inrush    |  |          |
| <b>G-inner thread, seal material PTFE/FKM</b>                              |                 |              |                                   |              |                 |                                  |                  |           |  |          |
| <b>DIN EN ISO 23553-1 Safety isolating equipment for liquid fuels PF15</b> |                 |              |                                   |              |                 |                                  |                  |           |  |          |
| <b>A, solenoid valve</b><br>2/2 way<br>Servo-controlled<br>Normally closed | G 3/4           | 20.0         | 4.7                               | Return line  | Stainless steel | 30                               | 20               | 180       | 246108 X                                     | 239737 X |

X: on request


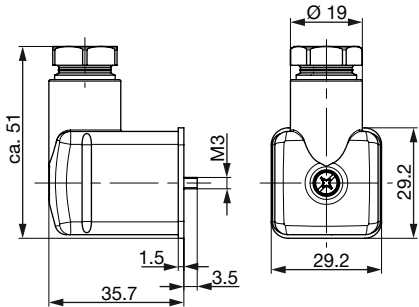



5.4. Ordering chart accessories

Cable plug Type 2518, Form A according to DIN EN 175301 - 803

Note:

Further versions see data sheet [Type 2518](#) ▶.

| Cable plug  | Dimensions  | Version                                      | Voltage         | Article no.  |
|---|---|--|-----------------|--|
|  |  | Without circuitry (AC/DC) with silicone seal | 0...250 V AC/DC | 361687  |

