

По вопросам продаж и поддержки обращайтесь:

Архангельск (8182)63-90-72	Краснодар (861)203-40-90	Рязань (4912)46-61-64
Астана (7172)727-132	Красноярск (391)204-63-61	Самара (846)206-03-16
Белгород (4722)40-23-64	Курск (4712)77-13-04	Санкт-Петербург (812)309-46-40
Брянск (4832)59-03-52	Липецк (4742)52-20-81	Саратов (845)249-38-78
Владивосток (423)249-28-31	Магнитогорск (3519)55-03-13	Смоленск (4812)29-41-54
Волгоград (844)278-03-48	Москва (495)268-04-70	Сочи (862)225-72-31
Вологда (8172)26-41-59	Мурманск (8152)59-64-93	Ставрополь (8652)20-65-13
Воронеж (473)204-51-73	Набережные Челны (8552)20-53-41	Тверь (4822)63-31-35
Екатеринбург (343)384-55-89	Нижний Новгород (831)429-08-12	Томск (3822)98-41-53
Иваново (4932)77-34-06	Новокузнецк (3843)20-46-81	Тула (4872)74-02-29
Ижевск (3412)26-03-58	Новосибирск (383)227-86-73	Тюмень (3452)66-21-18
Казань (843)206-01-48	Орел (4862)44-53-42	Ульяновск (8422)24-23-59
Калининград (4012)72-03-81	Оренбург (3532)37-68-04	Уфа (347)229-48-12
Калуга (4842)92-23-67	Пенза (8412)22-31-16	Челябинск (351)202-03-61
Кемерово (3842)65-04-62	Пермь (342)205-81-47	Череповец (8202)49-02-64
Киров (8332)68-02-04	Ростов-на-Дону (863)308-18-15	Ярославль (4852)69-52-93

Единый адрес: btk@nt-rt.ru **Веб-сайт:** www.burkert.nt-rt.ru

Электромагнитные пропорциональные клапаны Burkert

2/2-Way Proportional Valve Low- Δp



- Direct-acting, normally closed
- 0 - 0.7 bar¹⁾
- DN 8 - 12 mm
- 1/2" or 3/4"

Type 6024 can be combined with...



Type 8605

Control electronics
Cable plug version



Type 8605

Digital control electronics
DIN-rail version



Type 2508

Cable plug

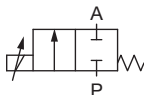


Type 8611

Universal controller

The direct-acting proportional valve Type 6024 works as an electromagnetically actuated control valve with relatively high flow rates at low operating pressures. The valve is normally closed.

Valve operation A



Direct acting 2-way
proportional valve,
normally closed

It is controlled by Control Electronics Type 8605.

Further functional features of the Type 8605 electronic control unit:

- Temperature compensation for coil heating by internal current regulation
- Simple zero and span settings
- Ramp function to dampen fast status changes

Technical data - valve

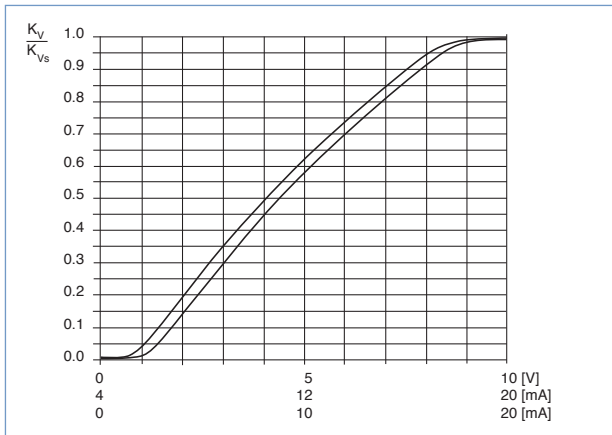
Body material	Brass, stainless steel
Sealing material	FKM, others on request
Media	technical vacuum Neutral gasses, liquids
Medium temperature	-10 to +90 °C
Ambient temperature	Max. +55 °C
Viscosity	Max. 21 mm ² /s
Operating voltage	24 V DC
Power consumption	Max. 18 W
Duty cycle	100% continuously rated
Port connection	G 1/2, G 3/4 (NPT 1/2 and NPT 3/4 on request)
Electrical connection	Cable plug Type 2508 (DIN EN 175301-803 Form A)
Mounting position	Any, preferably with drive at top
Typical control data³⁾	
Hysteresis	< 7 %
Repeatability	< 0.5 % of F.S.
Sensitivity	< 0.5 % of F.S.
Turn-down ratio	1:25
k_{vs} value ²⁾	1.4 to 2.8 m ³ /h
Max. operating pressure ¹⁾	0.1 to 0.7 bar (depending on DN)
Protection class - valve	IP65 with plug-in module or cable plug on valve

¹⁾ Pressure data [bar]: Overpressure with respect to atmospheric pressure

²⁾ K_{vs} value [m³/h]: max. flow capacity for water

³⁾ Characteristic data of control behaviour depends on process conditions

Characteristic of a proportional valve



Advice for valve sizing

In continuous flow applications, the choice of appropriate valve size is much more important than with on/off valves. The optimum size should be selected such that the resulting flow in the system is not unnecessarily reduced by the valve. However, a sufficient part of the pressure drop should be taken across the valve even when it is fully opened.

recommended value: $p_{\text{valve}} > 30\%$ of total pressure drop within the system

For that reason take advantage of Bürkert competent engineering services during the planning phase!

Determination of the kv value

Pressure drop	kv value for liquids [m ³ /h]	kv value for gases [m ³ /h]
Subcritical $p_2 > \frac{p_1}{2}$	$= Q \sqrt{\frac{\rho}{1000 \Delta p}}$	$= \frac{Q_N}{514} \sqrt{\frac{T_1 \rho_N}{p_2 \Delta p}}$
Supercritical $p_2 < \frac{p_1}{2}$	$= Q \sqrt{\frac{\rho}{1000 \Delta p}}$	$= \frac{Q_N}{257 p_1} \sqrt{T_1 \rho_N}$

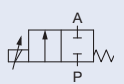
k_v Flow coefficient [m³/h]¹⁾
 Q_N Standard flow rate [m³/h]²⁾
 p_1 Inlet pressure [bar]³⁾
 p_2 Outlet pressure [bar]³⁾
 Δp Differential pressure $p_1 - p_2$ [bar]
 ρ Density [kg/m³]
 ρ_N Standard density [kg/m³]
 T_1 Temperature if fluid medium [(273+t)K]

¹⁾ measured for water, $\Delta p = 1$ bar, via the device

²⁾ Standard conditions at 1.013 bar³⁾ and 0 °C (273K)

³⁾ Absolute pressure

Ordering chart for valves

Valve operation	Orifice [mm]	Port connection	k_v value for water [m ³ /h] ¹⁾	Q_N value [l/min] ²⁾	Maximum operating pressure [bar] ³⁾	Power consumption [W]	Maximum coil current [mA]	Item no. Brass body	Item no. Stainless steel body
 Direct-acting 2-way proportional valve, closed by spring action without current	8	G 1/2	1.4	1500	0.7	18	580	150 401	–
		G 3/4	1.4	1500	0.7	18	580	150 427	–
	10	G 1/2	2.0	2150	0.4	18	580	150 402	150 404
		G 3/4	2.0	2150	0.4	18	580	150 428	150 429
	12	G 1/2	2.8	3020	0.2	18	580	–	150 426
		G 3/4	2.8	3020	0.2	18	580	150 406	150 408

1) k_v value: Flow rate value for water, measured at +20 °C and 1 bar pressure differential over a fully opened valve.

2) Q_N value: Flow rate value for air with inlet pressure of 6 bar¹⁾, 1 bar pressure differential and +20 °C.

3) Pressure data [bar]: Overpressure with respect to atmospheric pressure

Please note that the valves are delivered without control electronics unit and cable plug (see accessories below).

Devices also suitable for technical vacuum.



Further versions on request



Analytical

Oil and fat-free version

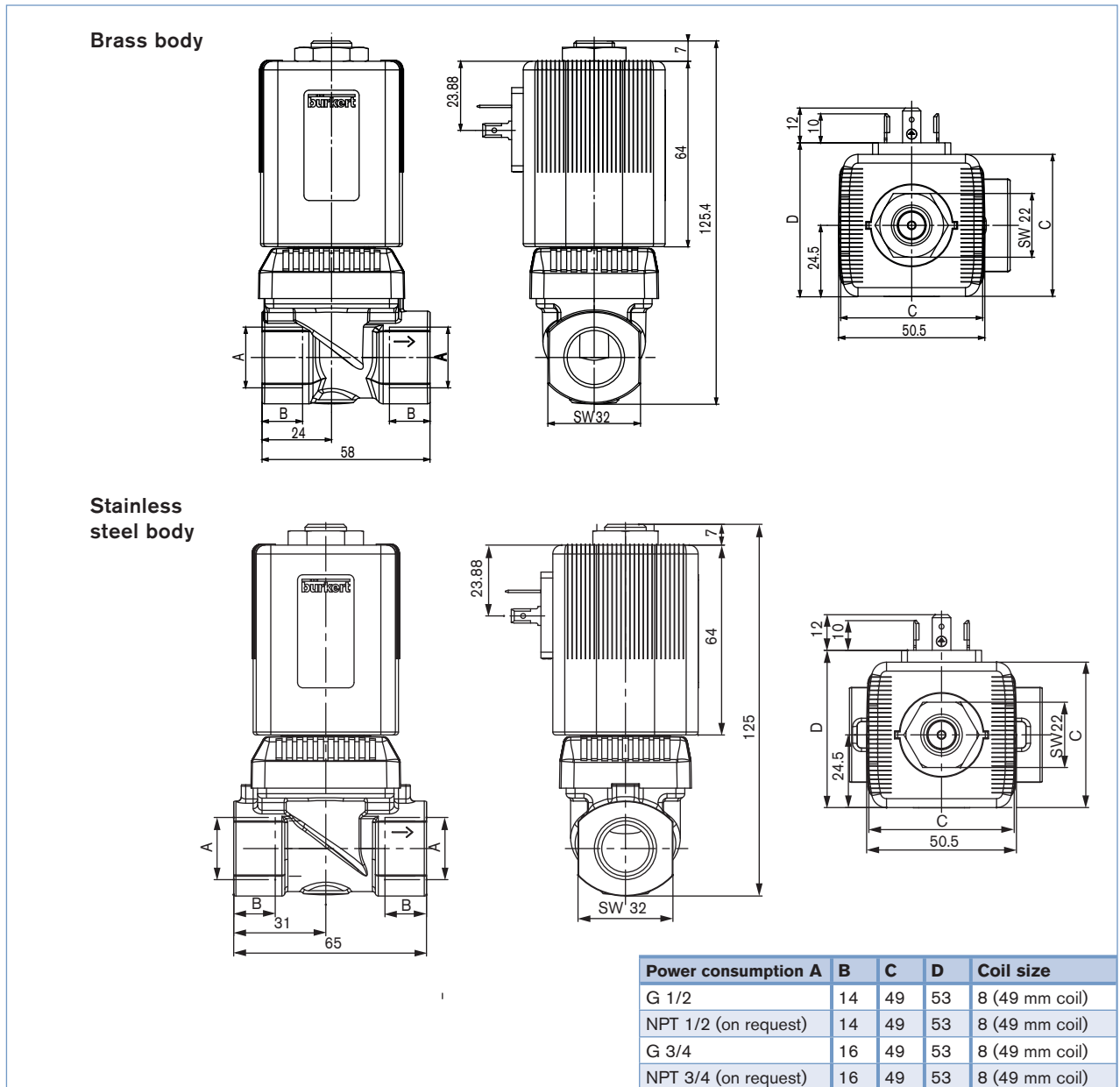


Port connection

NPT 1/2, NPT 3/4

Please also use the "request for quotation" form on last page [go to page](#)

Dimensions [mm]



Ordering chart for accessories

Cable plug Type 2508 according to DIN EN 175301-803 Form A

The delivery of a cable plug includes the flat seal and fixing screw

Circuitry	Voltage / frequency	Item no.
None	0 - 250 V AC/DC	008 376
None, with 3 m cable	0 - 250 V AC/DC	783 573

Electronic Control Type 8605

Please see separate datasheet. Click on the box "More info."... you will come to our website for this product where you can download the datasheet.



