

**По вопросам продаж и поддержки обращайтесь:**

|                             |                                 |                                |
|-----------------------------|---------------------------------|--------------------------------|
| Архангельск (8182)63-90-72  | Краснодар (861)203-40-90        | Рязань (4912)46-61-64          |
| Астана (7172)727-132        | Красноярск (391)204-63-61       | Самара (846)206-03-16          |
| Белгород (4722)40-23-64     | Курск (4712)77-13-04            | Санкт-Петербург (812)309-46-40 |
| Брянск (4832)59-03-52       | Липецк (4742)52-20-81           | Саратов (845)249-38-78         |
| Владивосток (423)249-28-31  | Магнитогорск (3519)55-03-13     | Смоленск (4812)29-41-54        |
| Волгоград (844)278-03-48    | Москва (495)268-04-70           | Сочи (862)225-72-31            |
| Вологда (8172)26-41-59      | Мурманск (8152)59-64-93         | Ставрополь (8652)20-65-13      |
| Воронеж (473)204-51-73      | Набережные Челны (8552)20-53-41 | Тверь (4822)63-31-35           |
| Екатеринбург (343)384-55-89 | Нижний Новгород (831)429-08-12  | Томск (3822)98-41-53           |
| Иваново (4932)77-34-06      | Новокузнецк (3843)20-46-81      | Тула (4872)74-02-29            |
| Ижевск (3412)26-03-58       | Новосибирск (383)227-86-73      | Тюмень (3452)66-21-18          |
| Казань (843)206-01-48       | Орел (4862)44-53-42             | Ульяновск (8422)24-23-59       |
| Калининград (4012)72-03-81  | Оренбург (3532)37-68-04         | Уфа (347)229-48-12             |
| Калуга (4842)92-23-67       | Пенза (8412)22-31-16            | Челябинск (351)202-03-61       |
| Кемерово (3842)65-04-62     | Пермь (342)205-81-47            | Череповец (8202)49-02-64       |
| Киров (8332)68-02-04        | Ростов-на-Дону (863)308-18-15   | Ярославль (4852)69-52-93       |

**Единый адрес:** [btk@nt-rt.ru](mailto:btk@nt-rt.ru) **Веб-сайт:** [www.burkert.nt-rt.ru](http://www.burkert.nt-rt.ru)

## Электромагнитные клапаны для нейтральных и слабоагрессивных сред Burkert



## 2/2-way Solenoid Valve with servo-diaphragm, G 3/8 - G 1

- High flow rate
- Cost effective
- Low power consumption
- Compact
- Pressure range 0.5 up to 10 bar

Type 6211 can be combined with...



### Type 2506

Cable plug to DIN EN 175301-803\*) Form C



### Type 2507

Cable plug industrial standard Form B



### Type 2510

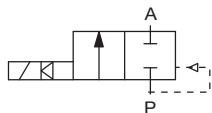
ASI-cable plug

The Type 6211 is a servo-assisted normally closed 2/2-way solenoid valve with a servo-diaphragm for use especially with neutral fluids and gaseous media. The valve has a low power consumption, low weight and a compact body.

The valve is normally closed by spring force. Energized, the solenoid opens the pilot valve first. Then the medium pressure opens the main valve due to the pressure drop above the diaphragm. The valve opens.

The special design and geometry of the inner parts of the valve result in a soft closing function and cause almost no water hammer.

### Circuit function A



2/2-way valve, servo-assisted, normally closed

| Technical data                  |  |
|---------------------------------|--|
| <b>Body material</b>            | Brass (DIN 50930-6)  |
| <b>Body cover</b>               | PPE/PA   |
| <b>Sealing material</b>         | NBR, EPDM, FKM   |
| <b>Media</b>                    |  |
| NBR                             | neutral gases and fluids (e.g. compressed air, water, hydraulic oil, oil, fat without additives);  |
| EPDM                            | oil and fat-free media   |
| FKM                             | (e.g. alkaline washing and bleaching lyes); per-solutions, oils with additives   |
| <b>Medium temperature</b>       |  |
| NBR                             | 0 ... +70 °C   |
| EPDM                            | -10 ... +70 °C   |
| FKM                             | 0 ... +70 °C   |
| <b>Ambient temperature</b>      | max. +55 °C  |
| <b>Port connection</b>          | G 3/8 ... G 1 (NPT or RC on request)   |
| <b>Operating voltage</b>        | 24 V DC<br>24 / 110 / 230 V / 50-60 Hz   |
| <b>Power consumption</b>        | 4 W  |
| Inrush                          | 9 VA AC, 4 W DC (hot) 5W (cold)  |
| Hold                            | 6 VA AC, 4 W DC  |
| <b>Voltage tolerance</b>        | ±10%   |
| <b>Duty cycle</b>               | 100% continuous rating   |
| <b>Electrical connection</b>    | <ul style="list-style-type: none"> <li>▪ Tag connector sideways</li> <li>▪ acc. to DIN EN 175301-803*) Form C for cable plug (on request)</li> <li>▪ acc. to DIN 43650 Form B (industrial standard) for cable plug Type 2507 (see Ordering chart for accessories)</li> </ul> |
| <b>Installation</b>             | as required, preferably with actuator upright  |
| <b>Weight</b>                   | see table Response times   |
| <b>Protection class</b>         | IP 65 with cable plug  |
| <b>Insulating class of coil</b> |  |
| Polyamide coil                  | Cable plug Form C - class B  |
| Epoxy coil                      | Cable plug Form B - class H  |
|                                 | Flying leads   |

## Response times

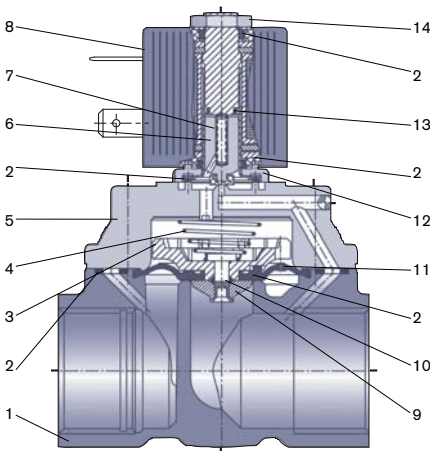
| Orifice<br>[kg] | Kv value<br>water<br>[m <sup>3</sup> /h] | Port<br>connection<br>[mm] | Pressure<br>range <sup>2)</sup><br>[bar] <sup>1)</sup> | Response times  |                 | Weight<br>Closing<br>[kg] |
|-----------------|--|----------------------------|--|-----------------|-----------------|---------------------------|
|                 |  |                            |  | Opening<br>[ms] | Closing<br>[ms] |                           |
| 10              | 1.9                                      | G3/8, G1/2                 | 0.5-10   | 20-25           | 100-120         | 0.31                      |
| 13              | 3.6                                      | G1/2, G3/4                 | 0.5-10   | 100-200         | 200-250         | 0.44                      |
| 20              | 8.3                                      | G3/4, G1                   | 0.5-10   | 400             | 500-700         | 1.03                      |

<sup>1)</sup> Pressure data [bar]: Overpressure with respect to atmospheric pressure

<sup>2)</sup> For opening the full cross-section, a pressure difference of 0.5 bar is required.

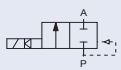
- K<sub>v</sub> value [m<sup>3</sup>/h]: Flow rate value for water, measured at +20 °C and 1 bar<sup>1)</sup> pressure differential over a fully opened valve.
- Response times [ms]: measured at valve outlet at 6 bar<sup>1)</sup> and +20 °C  
Opening: pressure build-up 0 ... 90%, Closing: pressure relief 100 ... 10%

## Materials

|  |              |                                      |                                   |       |
|--|--------------|--------------------------------------|-----------------------------------|-------|
|  | 1            | Body                                 | Brass                             |       |
|  | 2            | O-ring                               | NBR, FKM, EPDM                    |       |
|  | 3            | Diaphragm support                    | PPS                               |       |
|  | 4            | Spring                               | St. st. 1.4310                    |       |
|  | 5            | Body cover                           | PPE/PA                            |       |
|  | 6            | Plunger                              | St. st. 1.4105                    |       |
|  | 7            | Spring                               | St. st. 1.4310                    |       |
|  | 8            | Coil                                 | PA (on request)                   |       |
|  |              |                                      | DIN EN 175301-803 <sup>*)</sup> C |       |
|  |              |                                      | DIN 43650                         |       |
|  |              |                                      | (industrial standard) Form B      | Epoxy |
|  | 9            | Diaphragm holder                     | Brass, PPS                        |       |
|  | 10           | Bolt                                 | Brass                             |       |
|  | 11           | Diaphragm                            | NBR, FKM, EPDM                    |       |
| 12   | Flange       | Steel                                |                                   |       |
| 13   | Shading ring | Cu                                   |                                   |       |
| 14   | Locknut      | Steel                                |                                   |       |
|  |              | (thick-film passivated acc. to Rohs) |                                   |       |

## Ordering chart for valves (other versions on request)


Type 6211 Solenoid Valve with coil Form B (industrial standard) for cable plug, Type 2507  
(cable plug not supplied)

| Circuit function   | Orifice DN [mm]           | Port connection | Kv value water [m <sup>3</sup> /h] | Pressure range [bar] <sup>1)</sup> | Item no. per voltage/frequency [V/Hz] |          |           |           |
|--|---------------------------|-----------------|------------------------------------|------------------------------------|---------------------------------------|----------|-----------|-----------|
|  |                           |                 |                                    |                                    | 24/DC                                 | 24/50-60 | 110/50-60 | 230/50-60 |
| A<br> | <b>Seal material NBR</b>  |                 |                                    |                                    |                                       |          |           |           |
|  | 10                        | G 3/8           | 1.9                                | 0.5-10                             | 163 358                               | 163 359  | 163 360   | 163 361   |
|  |                           | G 1/2           | 1.9                                | 0.5-10                             | 161 944                               | 163 362  | 163 363   | 163 364   |
|  | 13                        | G 1/2           | 3.6                                | 0.5-10                             | 163 384                               | 163 385  | 163 386   | 163 387   |
|  |                           | G 3/4           | 3.6                                | 0.5-10                             | 163 388                               | 163 389  | 163 390   | 163 391   |
|  | 20                        | G 3/4           | 8.3                                | 0.5-10                             | 163 408                               | 163 409  | 163 410   | 163 411   |
|  |                           | G 1             | 8.3                                | 0.5-10                             | 163 412                               | 163 413  | 163 414   | 161 469   |
|  | <b>Seal material FKM</b>  |                 |                                    |                                    |                                       |          |           |           |
|  | 10                        | G 3/8           | 1.9                                | 0.5-10                             | 163 369                               | 163 370  | 163 371   | 163 372   |
|  |                           | G 1/2           | 1.9                                | 0.5-10                             | 161 946                               | 163 373  | 163 374   | 163 375   |
|  | 13                        | G 1/2           | 3.6                                | 0.5-10                             | 163 392                               | 163 393  | 163 394   | 163 395   |
|  |                           | G 3/4           | 3.6                                | 0.5-10                             | 163 396                               | 163 397  | 163 398   | 163 399   |
|  | 20                        | G 3/4           | 8.3                                | 0.5-10                             | 163 415                               | 163 416  | 163 417   | 163 418   |
|  |                           | G 1             | 8.3                                | 0.5-10                             | 163 419                               | 163 420  | 163 421   | 163 422   |
|  | <b>Seal material EPDM</b> |                 |                                    |                                    |                                       |          |           |           |
|  | 10                        | G 3/8           | 1.9                                | 0.5-10                             | 163 336                               | 163 337  | 163 338   | 163 339   |
|  |                           | G 1/2           | 1.9                                | 0.5-10                             | 163 340                               | 163 351  | 163 352   | 163 353   |
|  | 13                        | G 1/2           | 3.6                                | 0.5-10                             | 163 376                               | 163 377  | 163 378   | 163 379   |
|  |                           | G 3/4           | 3.6                                | 0.5-10                             | 163 380                               | 163 381  | 163 382   | 163 383   |
|  | 20                        | G 3/4           | 8.3                                | 0.5-10                             | 163 400                               | 163 401  | 163 402   | 163 403   |
|  |                           | G 1             | 8.3                                | 0.5-10                             | 163 404                               | 163 405  | 163 406   | 163 407   |

<sup>1)</sup> Pressure rate [bar]: Overpressure with respect to atmospheric pressure

## Ordering chart for accessories


### Cable plug Type 2507, Form B Industrial standard


|  | Description                      | Voltage         | Item no. |
|---|----------------------------------|-----------------|----------|
|   | None (standard)                  | 0 - 250 V AC/DC | 423 845  |
|   | With LED and varistor            | 24 V AC/DC      | 423 849  |
|   | With LED and free-wheeling diode | 24 V/DC         | 423 851  |
|   | With rectifier, LED and varistor | 12 - 24 V AC/DC | 423 853  |

Supplied with cable plug: flat seal and fixing screw.

Other versions of cable plug Form B (industrial standard) with circuitry see separate Datasheet Type 2507.

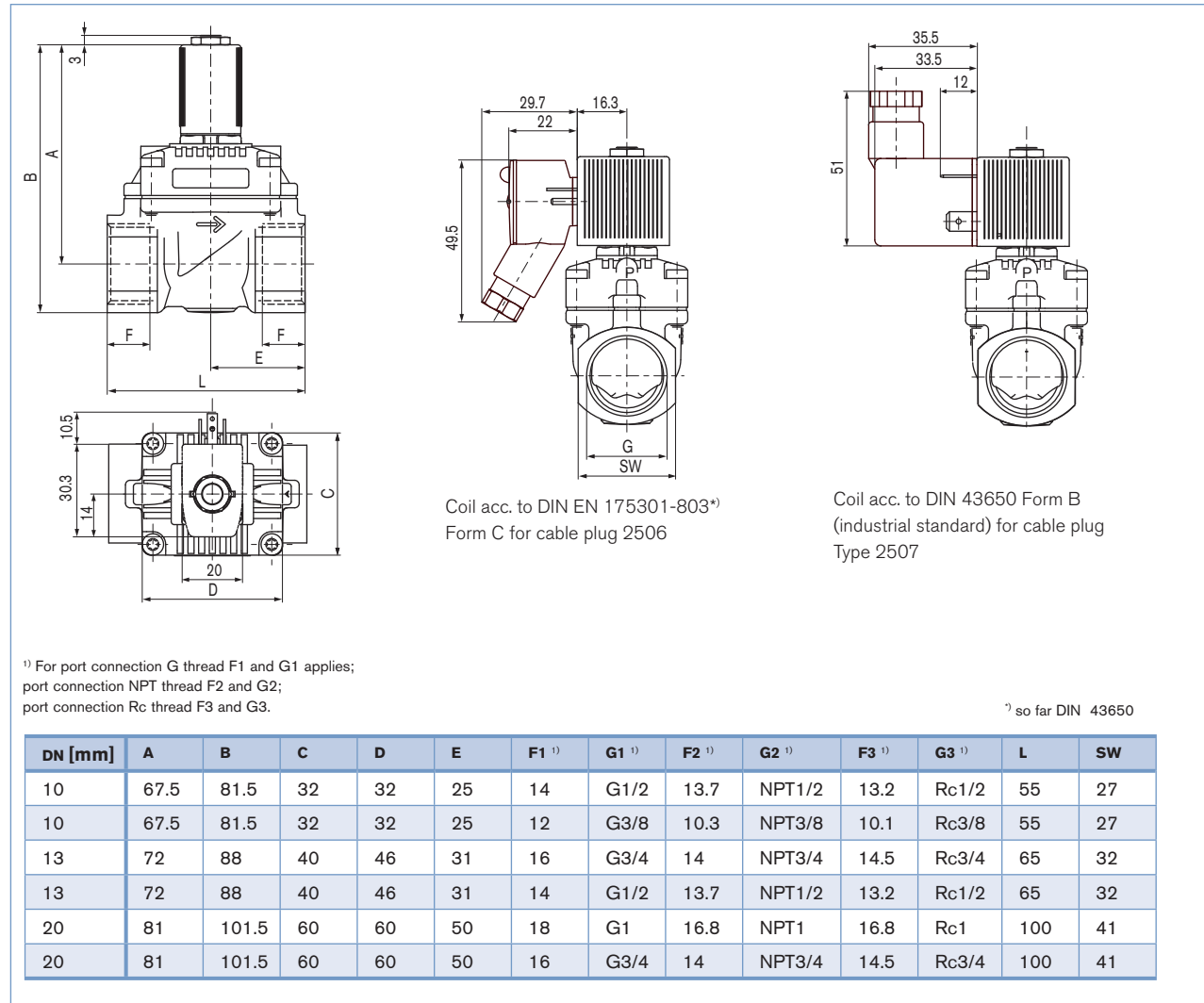
### **i** Further versions on request

 **Electrical Connection**  
Coil with cable plug acc. to DIN EN 175301 Form C  
Coil with flying leads

 **Port Connection**  
Threaded port NPT, Rc

 **Approvals**  
UR/CSA

Dimensions [mm]



To find your nearest Bürkert facility, click on the orange box →



In case of special application conditions,  
please consult for advice.

We reserve the right to make technical changes without notice.  
© Christian Bürkert GmbH & Co. KG

1310/3\_EU-en\_00891748

