

По вопросам продаж и поддержки обращайтесь:

Архангельск (8182)63-90-72	Краснодар (861)203-40-90	Рязань (4912)46-61-64
Астана (7172)727-132	Красноярск (391)204-63-61	Самара (846)206-03-16
Белгород (4722)40-23-64	Курск (4712)77-13-04	Санкт-Петербург (812)309-46-40
Брянск (4832)59-03-52	Липецк (4742)52-20-81	Саратов (845)249-38-78
Владивосток (423)249-28-31	Магнитогорск (3519)55-03-13	Смоленск (4812)29-41-54
Волгоград (844)278-03-48	Москва (495)268-04-70	Сочи (862)225-72-31
Вологда (8172)26-41-59	Мурманск (8152)59-64-93	Ставрополь (8652)20-65-13
Воронеж (473)204-51-73	Набережные Челны (8552)20-53-41	Тверь (4822)63-31-35
Екатеринбург (343)384-55-89	Нижний Новгород (831)429-08-12	Томск (3822)98-41-53
Иваново (4932)77-34-06	Новокузнецк (3843)20-46-81	Тула (4872)74-02-29
Ижевск (3412)26-03-58	Новосибирск (383)227-86-73	Тюмень (3452)66-21-18
Казань (843)206-01-48	Орел (4862)44-53-42	Ульяновск (8422)24-23-59
Калининград (4012)72-03-81	Оренбург (3532)37-68-04	Уфа (347)229-48-12
Калуга (4842)92-23-67	Пенза (8412)22-31-16	Челябинск (351)202-03-61
Кемерово (3842)65-04-62	Пермь (342)205-81-47	Череповец (8202)49-02-64
Киров (8332)68-02-04	Ростов-на-Дону (863)308-18-15	Ярославль (4852)69-52-93

Единый адрес: btk@nt-rt.ru **Веб-сайт:** www.burkert.nt-rt.ru

АНАЛИТИЧЕСКИЕ ДАТЧИКИ



Timer

- Digital version with bright LED display
- Analogue version with LED illumination to indicate switching status
- Connection according to DIN EN 175301-803 (form A)
- Protection class IP65 (NEMA 4)



Product variants described in the data sheet may differ from the product presentation and description.

Can be combined with



Type 2518 ▶
Cable Plug
DIN EN 175301-803 -
Form A

1. General technical data

Note:

Suitable for solenoid coils with max. 10 W (warm performance) and 100% ED e.g. AC10, ACP016 and all solenoid coils with KD electronic.

Product properties	Digital version	Analogue version
Timer PCB	SMT	SMT
Cycle display time	bright LED display	bright LED display
Housing material	ABS plastic	ABS plastic
Test function	Yes	Yes
Electrical data		
Voltage	10...48 V AC/DC 50/60 Hz 240 V AC/DC 50/60 Hz	24...240 V AC/DC 50/60 Hz 48...380 V AC/DC 50/60 Hz
Switching current	Max. 2,0 A Max. 1,0 A (cURus approved)	Max. 2,0 A Max. 1,0 A (cURus approved)
Performance data		
Timer cycle (on/off)	0.01 seconds up to 99 hours (ON) 0.01 seconds up to 99 hours (OFF)	0.5...10 seconds (ON) 0.5...45 minutes (OFF)
Approvals and Certificates		
Protection class	IP65 (NEMA 4)	IP65 (NEMA 4)
Product connections		
Plug connection	DIN EN 175301-803 (Form A)	DIN EN 175301-803 (Form A)
Environment and installation		
Ambient temperature	-40 °C...+55 °C (-40 °F...+131 °F)	-40 °C...+55 °C (-40 °F...+131 °F)

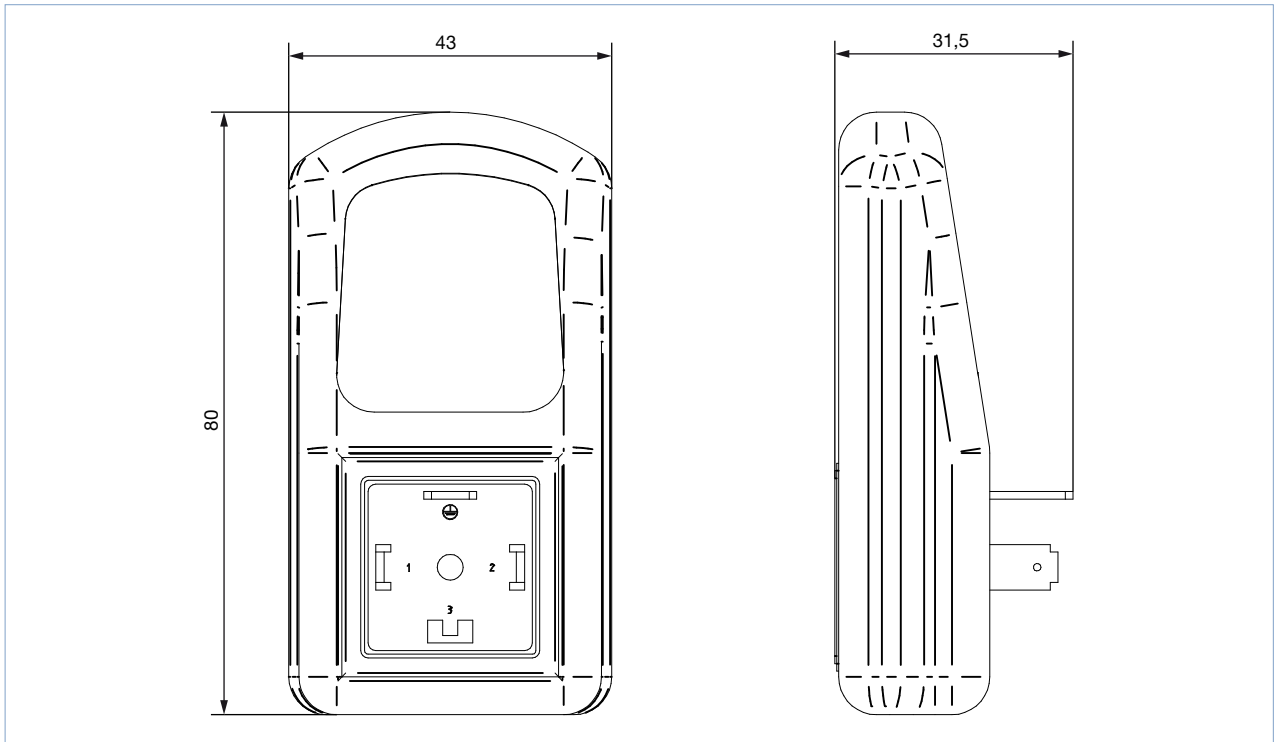
2. Product versions



3. Dimensions

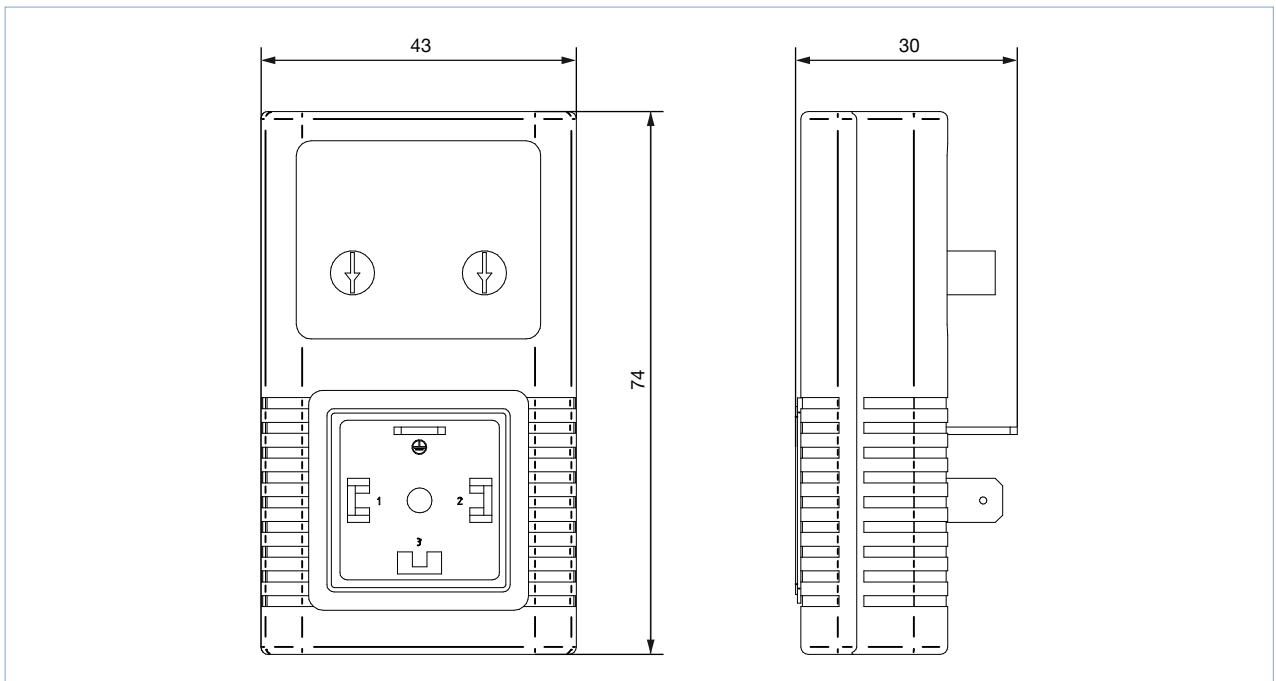
3.1. Digital version

Note: Dimensions in mm

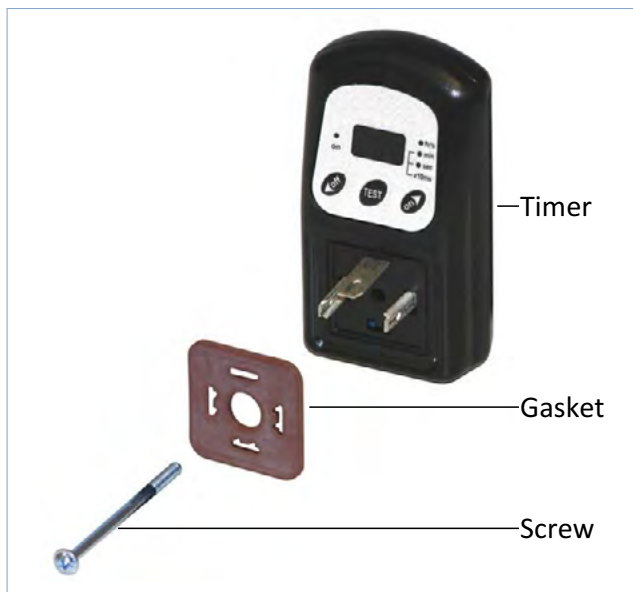


3.2. Analogue version

Note: Dimensions in mm



4. Product installation



5. Ordering information

5.1. Bürkert eShop – Easy ordering and quick delivery



Bürkert eShop – Easy ordering and fast delivery

You want to find your desired Bürkert product or spare part quickly and order directly? Our online shop is available for you 24/7. Sign up and enjoy all the benefits.

[Order online now](#)

5.2. Bürkert product filter



Bürkert product filter – Get quickly to the right product

You want to select products comfortably based on your technical requirements? Use the Bürkert product filter and find suitable articles for your application quickly and easily.

[Try out our product filter](#)

