

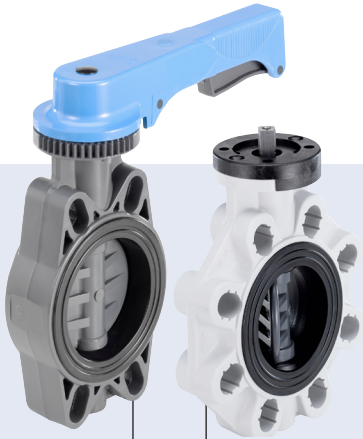
По вопросам продаж и поддержки обращайтесь:

Архангельск (8182)63-90-72	Краснодар (861)203-40-90	Рязань (4912)46-61-64
Астана (7172)727-132	Красноярск (391)204-63-61	Самара (846)206-03-16
Белгород (4722)40-23-64	Курск (4712)77-13-04	Санкт-Петербург (812)309-46-40
Брянск (4832)59-03-52	Липецк (4742)52-20-81	Саратов (845)249-38-78
Владивосток (423)249-28-31	Магнитогорск (3519)55-03-13	Смоленск (4812)29-41-54
Волгоград (844)278-03-48	Москва (495)268-04-70	Сочи (862)225-72-31
Вологда (8172)26-41-59	Мурманск (8152)59-64-93	Ставрополь (8652)20-65-13
Воронеж (473)204-51-73	Набережные Челны (8552)20-53-41	Тверь (4822)63-31-35
Екатеринбург (343)384-55-89	Нижний Новгород (831)429-08-12	Томск (3822)98-41-53
Иваново (4932)77-34-06	Новокузнецк (3843)20-46-81	Тула (4872)74-02-29
Ижевск (3412)26-03-58	Новосибирск (383)227-86-73	Тюмень (3452)66-21-18
Казань (843)206-01-48	Орел (4862)44-53-42	Ульяновск (8422)24-23-59
Калининград (4012)72-03-81	Оренбург (3532)37-68-04	Уфа (347)229-48-12
Калуга (4842)92-23-67	Пенза (8412)22-31-16	Челябинск (351)202-03-61
Кемерово (3842)65-04-62	Пермь (342)205-81-47	Череповец (8202)49-02-64
Киров (8332)68-02-04	Ростов-на-Дону (863)308-18-15	Ярославль (4852)69-52-93

Единый адрес: btk@nt-rt.ru **Веб-сайт:** www.burkert.nt-rt.ru

**ШАРОВЫЕ КРАНЫ,
ЗАТВОРЫ ДИСКОВЫЕ**

Plastic butterfly valve



- Manually operated / automatable
- For aggressive media
- Low torques
- Long lifespan
- Maintenance friendly

Type 2674 can be combined with...



Typ 2052

Pneumatic actuator



Type 3003

Electric actuator



Type 3004

Electric actuator (ATEX)



Type 3005

Electric actuator

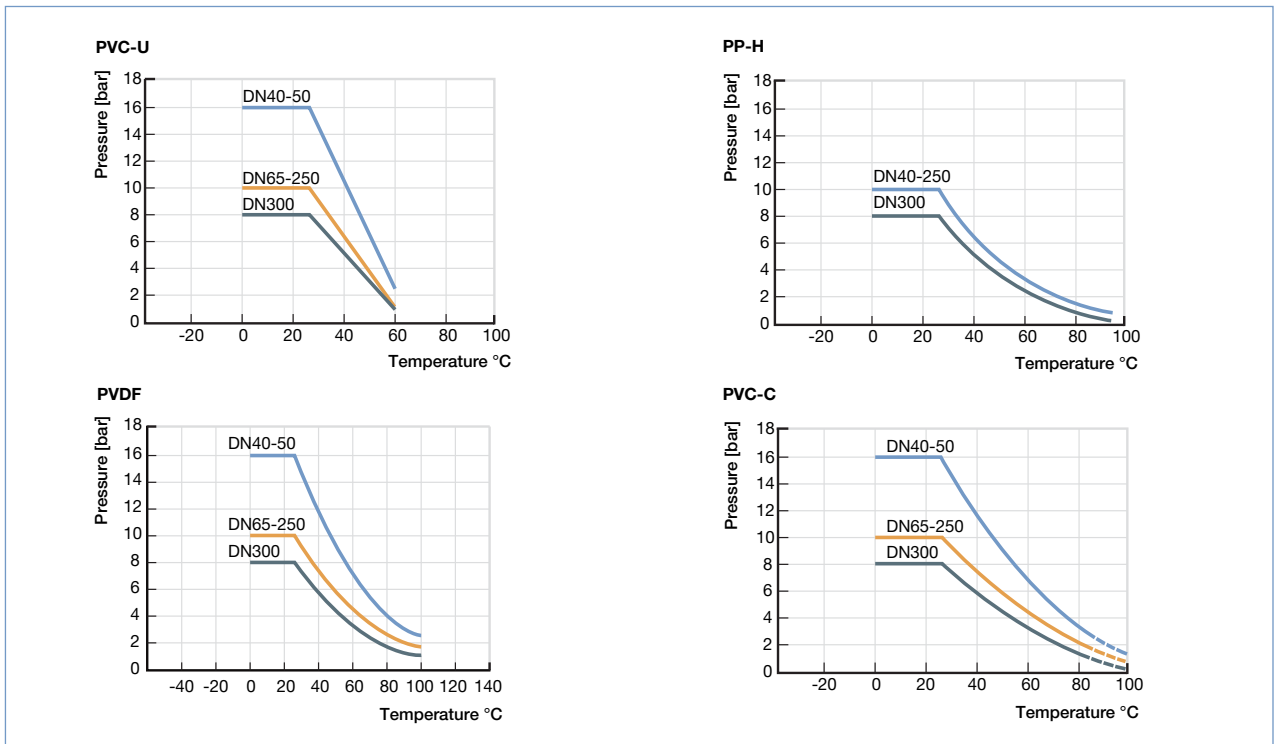
2/2 way plastic butterfly valves used for control and on/off operations. Type 2674 can be connected via the mechanical interface (acc. to ISO 5211) with pneumatic (for example, type 2052 or 2051) and electrical rotary actuators (for example, type 3003, 3004 or 3005).

Next to this, the valve is available with different kinds of liner (EPDM, FPM), housing (PVC-U, PP-GR) and disc (PVC-U, PP-H, PVDF, PVC-C) materials. Consequently, type 2674 is suited for various aggressive media and meets the requirements of different applications and processes.

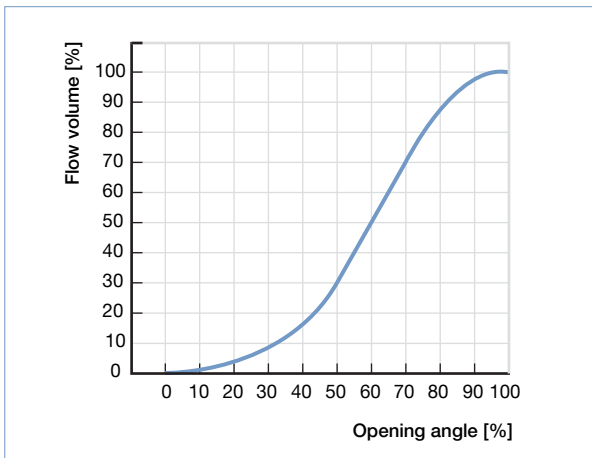
Technical Data

Body	Wafer Lug (on request)
Body material	PVC-U (FE-Version) PP-GR (FK-Version)
Disc material	PVC-U PP-H PVDF PVC-C (on request)
Seal material	EPDM, FPM
Temperature range	
PVC-U	0 ... +60 °C
PP	0 ... +90 °C
PVDF	0 ... +100 °C
PVC-C	0 ... +100 °C
Port connection	DIN 2501, ISO DIS 9624, UNI 2223 BS 10 table D/E ASA B16.5 class 150 JIS 2212 (K10 except for DN200 / DN300), JIS 2212 (K5 except for DN50)
Medium pressure	See pressure temperature chart
ISO top flanges	EN ISO 5211

Pressure Temperature Chart



Flow rate



Torque Chart

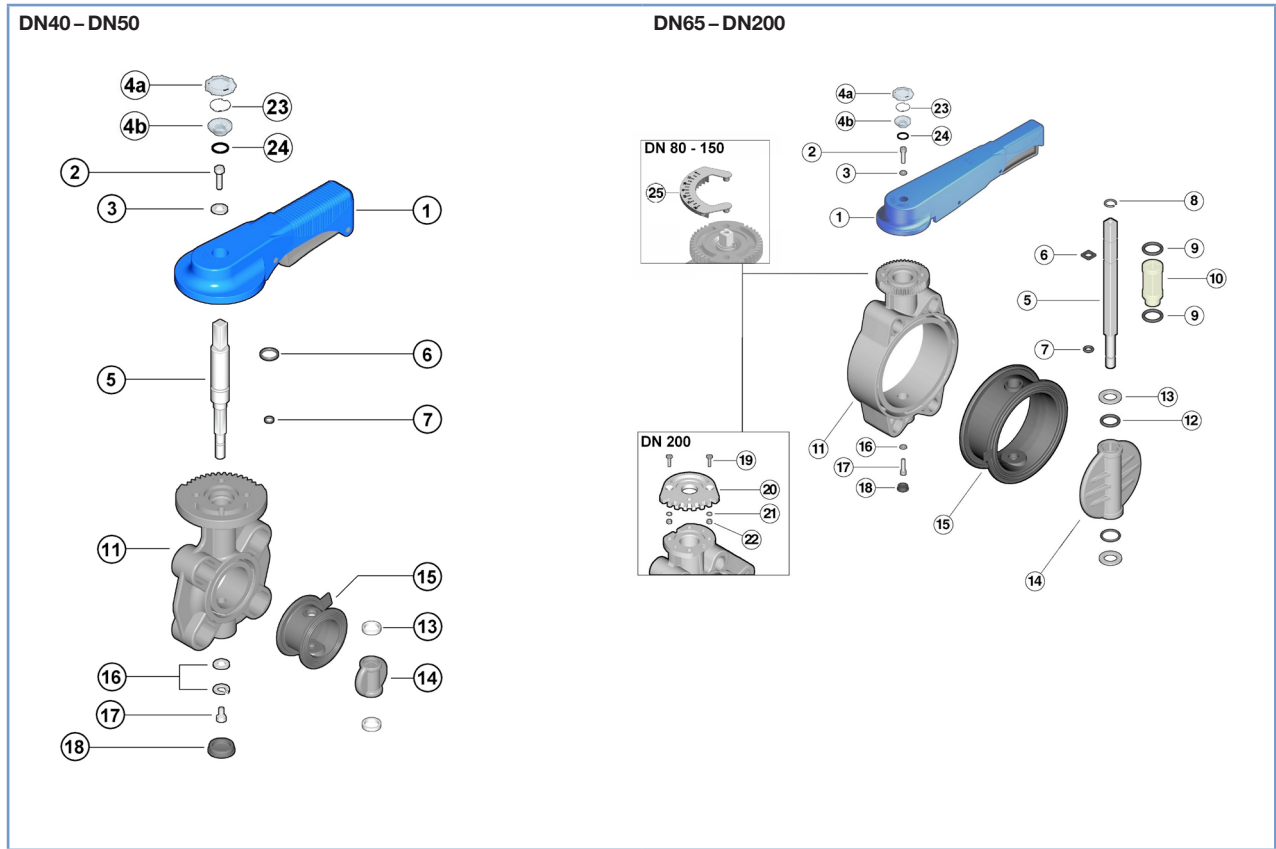
Ø Port connection [mm]	50	63	75	90	110	140	160	225	280	315
DN	40	50	65	80	100	125	150	200	250	300
Torque [Nm] FE butterfly valve	9	10	14	25	43	58	91	142	-	-
Torque [Nm] FK butterfly valve	11	17	23	34	45	64	89	138	306	336

K_{VS} Values (for water)

Ø Port connection [mm]	50	63	75	90	110	140	160	225	280	315
DN	40	50	65	80	100	125	150	200	250	300
K _{VS} [m³/h]	60	77.1	102	213	354	591	1122	1830	3192	4896

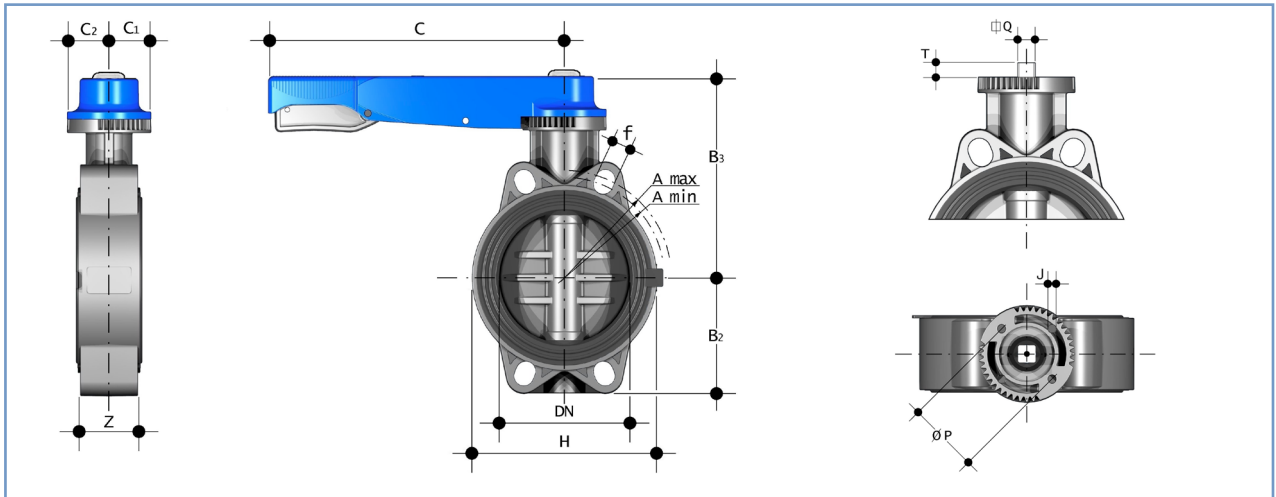
FE Butterfly Valve

Materials



Pos	Description	Qty	Material
1	Handle	1	HIPVC
2	Screw	1	Stainless steel
3	Washer	1	Stainless steel
4a/b	Transparent protection plug	1	PVC
5	Stem	1	Zinc plated steel
6	Stem O-ring	1	EPDM or FPM
7	Stem O-ring	1	EPDM or FPM
8	Seeger ring	1	Stainless steel
9	Bush O-ring	2	EPDM or FPM
10	Bush	1	Nylon
11	Body	1	PVC-U
12	Disc O-ring	2	EPDM or FPM
13	Antifriction ring	2	PTFE
14	Disc	1	PVC-U
15	Liner	1	EPDM or FPM
16	Washer	1	Steel
17	Screw	1	Stainless steel
18	Protection plug	1	PE
19	Screw	2	Stainless steel
20	Plate	1	PVC-U
21	Washer	2	Stainless steel
22	Nut	2	Stainless steel
23	Tag holder	1	PVC-U
24	O-ring	2	NBR
25	Position indicator	1	PVC-U

Dimensions [mm]



DN	d ¹⁾	A _{min}	A _{max}	B ₂	B ₃	C	C ₁	C ₂	f	H	U	Z	J	T	Q	P	ISO 5211
40	50	93.5	109.00	60	136	175	45	42	19	132	4	33	7	12	11	50	F05
50	63	108	124.00	70	143	175	45	42	19	147	4	43	7	12	11	50	F05
65	75	128	144.00	80	168	175	45	45	19	165	4	46	7	12	11	50	F05
80	90	145	159.00	90	182	250	45	45	19	130	4	49	9	16	14	70	F07
100	110	165	190.00	105	196	250	45	45	19	150	4	56	9	16	14	70	F07
125	140	204	215.00	121	215	335	45	45	23	185	4	64	9	19	17	70	F07
150	160	230	229.00	132	229	335	45	45	23	210	4	70	9	19	17	70	F07
200	225	280	309.00	161	309	425	65	82	23	325	8	71	11	24	22	102	F10

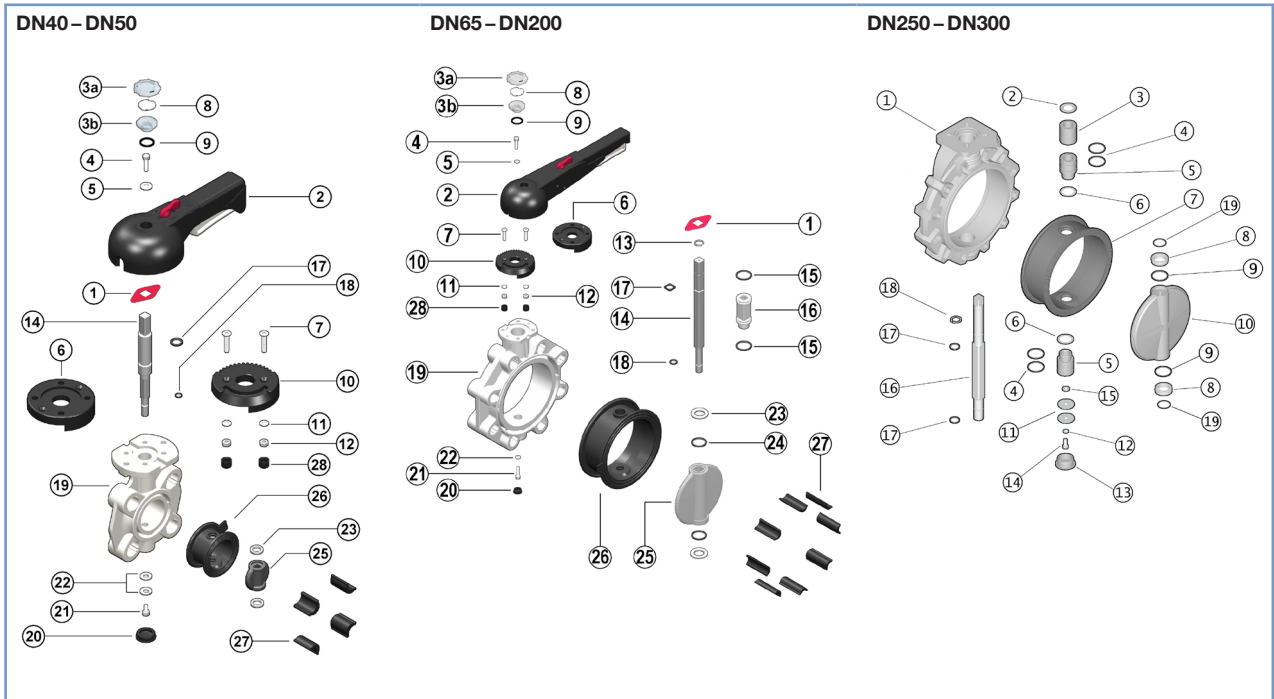
1) Ø Port connection [mm]

Ordering Chart: Body: PVC-U / Disc: PVC-U

Orifice	Port connection [mm]	Pressure range [bar]	Weight [kg]	Article no	
				EPDM liner	FPM liner
40	50	16	0.83	254375	208205
50	63	16	1.01	254376	293948
65	75	10	1.42	254378	208207
80	90	10	1.64	254379	208208
100	110	10	1.99	212081	293949
125	140	10	3.03	254384	293950
150	160	10	3.73	254385	293951
200	225	10	8.24	254386	293952

FK Butterfly Valve

Materials



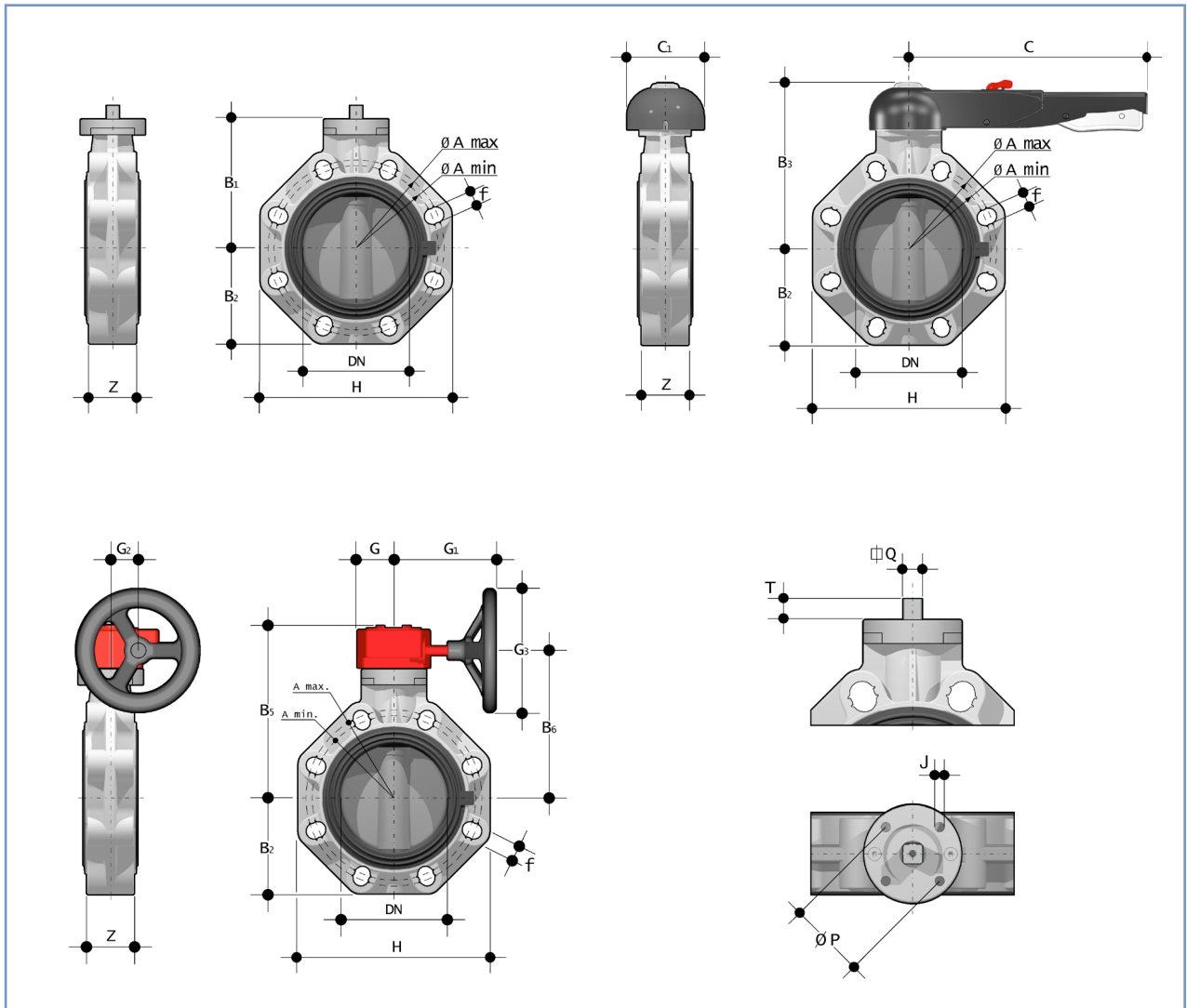
DN40 – DN50 / DN65 – DN200

Pos	Description	Qty	Material
1	Position indicator	1	PA
2	Handle	1	HIPVC
3a/b	Transparent protection plug	1	PVC
4	Fastening screw	1	Stainless steel
5	Washer	1	Stainless steel
6	Flange	1	PP-GR
7	Screw	2	Stainless steel
8	Tag holder	1	PVC-U
9	O-ring	1	NBR
10	Plate	1	PP-GR
11	Washer	2	Stainless steel
12	Nut	2	Stainless steel
13	Seeger ring	1	Stainless steel
14	Stem	1	Stainless steel AISI 316
15	Bush O-ring	2	EPDM or FPM
16	Bush	1	Nylon
17	Stem O-ring	1	EPDM or FPM
18	Stem O-ring	1	EPDM or FPM
19	Body	1	PP-GR
20	Protection plug	1	PE
21	Screw	1	Stainless steel
22	Washer	1	Stainless steel
23	Antifriction ring	2	PTFE
24	Disc O-ring	2	EPDM or FPM
25	Disc	1	PVC-U or PP-H or PVDF
26	Liner	1	EPDM or FPM
27	Inserts	4-8	ABS
28	Plug	2	PE

DN250 – DN300

Pos	Description	Qty	Material
1	Body	1	PP-GR
2	Washer	1	Stainless steel
3	Bush	1	PP
4	Bush O-ring	4	EPDM or FPM
5	Bush	2	PP
6	Washer	2	PTFE
7	Liner	1	EPDM or FPM
8	Antifriction ring	2	PTFE
9	Disc O-ring	2	EPDM or FPM
10	Disc	1	PVC-U or PP-H or PVDF
11	Washer	2	Stainless steel
12	Washer	1	Stainless steel
13	Protection plug	1	PE
14	Screw	1	Stainless steel
15	Washer	1	Stainless steel
16	Stem	1	Stainless steel AISI 316
17	Stem O-ring	2	EPDM or FPM
18	Seeger ring	1	Stainless steel
19	O-ring	2	EPDM or FPM

Dimensions [mm]



DN	d ¹⁾	A _{min}	A _{max}	B1	B2	B3	C	C1	f	H	U	Z	J	T	Q	P	ISO 5211
40	50	99	109	106	60	137	175	100	19	132	4	33	7	12	11	50	F05
50	63	115	125.5	112	70	143	175	100	19	147	4	43	7	12	11	50	F05
65	75	128	144	119	80	164	175	110	19	165	4	46	7/9	12	11	50/70	F05/07
80	90	145	160	133	93	178	175	100	19	185	8	49	9	16	14	70	F07
100	110	165	190	147	107	192	272	110	19	211	8	56	9	16	14	70	F07
125	140	204	215	167	120	212	330	110	23	240	8	64	9	19	17	70	F07
150	160	230	242	167	134	225	330	110	23	268	8	70	9	19	17	70	F07
200	225	280	298	180	161	272	420	122	23	323	8	71	11	24	22	10	F10

DN	d ¹⁾	ØA	B1	B2	B5	B6	G	G 1	G 2	G 3	f	H	U	Z	J	T	Q	P	ISO 5211
250	280	350	248	210	317	281	88	236	76	250	22	405	12	114	11/13/17	29	27	102/125/140	F10/12/14
300	315	400	305	245	374	338	88	236	76	250	22	475	12	114	11/13/17	29	27	102/125/140	F10/12/14

1) Ø Port connection [mm]

Ordering Chart: Body: PP-GR / Disc: PVC-U

Orifice DN	Port connection [mm]	Pressure range [bar]	Weight – bare shaft [kg]	Weight – with lever [kg]	Article no – bare shaft		Article no – with lever (DN40 – 200); with manual gear box (DN250 – 300)	
					EPDM liner	FPM liner	EPDM liner	FPM liner
40	50	16	0.57	0.90	293953	293966	293957	293974
50	63	16	0.75	1.08	293954	208206	282059	293975
65	75	10	1.00	1.47	266067	293967	282061	293976
80	90	10	1.40	1.87	265713	277934	282062	277933
100	110	10	1.75	2.22	268247	293968	282063	293977
125	140	10	2.55	3.10	293955	293969	270796	293978
150	160	10	3.30	3.85	264866	293970	265983	293979
200	225	10	6.00	6.75	264864	293971	282064	293980
250 ¹⁾	280	10	12.00	18.60	293956	293972	293964	293987
300 ¹⁾	315	8	19.00	25.60	284675	293973	293965	293988

1) acc. ISO-DIN
ASA B.16.5 150 (on request)

Ordering Chart: Body: PP-GR / Disc: PP-H

Orifice DN	Port connection [mm]	Pressure range [bar]	Weight – bare shaft [kg]	Weight – with lever [kg]	Article no – bare shaft		Article no – with lever (DN40 – 200); with manual gear box (DN250 – 300)	
					EPDM liner	FPM liner	EPDM liner	FPM liner
40	50	10	0.47	0.80	293989	208209	293998	294020
50	63	10	0.65	0.98	293990	208210	293999	294021
65	75	10	0.90	1.37	273125	208211	294000	294022
80	90	10	1.30	1.77	293991	208212	294002	294023
100	110	10	1.65	2.12	293992	209928	294003	294024
125	140	10	2.45	3.00	293993	294015	294004	294025
150	160	10	3.20	3.75	293994	294016	294005	294026
200	225	10	5.90	6.65	293995	294017	294006	294027
250 ¹⁾	280	10	11.80	18.400	293996	294018	294013	294034
300 ¹⁾	315	8	18.70	25.450	293997	294019	294014	294035

1) acc. ISO-DIN
ASA B.16.5 150 (on request)

Ordering Chart: Body: PP-GR / Disc: PVDF

Orifice DN	Port connection [mm]	Pressure range [bar]	Weight – bare shaft [kg]	Weight – with lever [kg]	Article no – bare shaft		Article no – with lever (DN40 – 200); with manual gear box (DN250 – 300)	
					EPDM liner	FPM liner	EPDM liner	FPM liner
40	50	16	0.67	1.00	294216	294036	294229	294044
50	63	16	0.85	1.18	294218	294037	294230	294045
65	75	10	1.10	1.57	294219	294038	294232	277324
80	90	10	1.55	2.02	294220	294039	294233	277325
100	110	10	1.90	2.37	294221	267777	294234	277326
125	140	10	2.75	3.30	294222	294040	294236	294046
150	160	10	3.55	4.10	294224	289253	294237	294047
200	225	10	6.30	7.05	294225	294041	294238	294048
250 ¹⁾	280	10	13.00	19.60	294227	294042	294249	294055
300 ¹⁾	315	8	21.00	27.60	294228	294043	294250	294056

1) gacc. ISO-DIN
ASA B.16.5 150 (on request)

