

**По вопросам продаж и поддержки обращайтесь:**

Архангельск (8182)63-90-72	Краснодар (861)203-40-90	Рязань (4912)46-61-64
Астана (7172)727-132	Красноярск (391)204-63-61	Самара (846)206-03-16
Белгород (4722)40-23-64	Курск (4712)77-13-04	Санкт-Петербург (812)309-46-40
Брянск (4832)59-03-52	Липецк (4742)52-20-81	Саратов (845)249-38-78
Владивосток (423)249-28-31	Магнитогорск (3519)55-03-13	Смоленск (4812)29-41-54
Волгоград (844)278-03-48	Москва (495)268-04-70	Сочи (862)225-72-31
Вологда (8172)26-41-59	Мурманск (8152)59-64-93	Ставрополь (8652)20-65-13
Воронеж (473)204-51-73	Набережные Челны (8552)20-53-41	Тверь (4822)63-31-35
Екатеринбург (343)384-55-89	Нижний Новгород (831)429-08-12	Томск (3822)98-41-53
Иваново (4932)77-34-06	Новокузнецк (3843)20-46-81	Тула (4872)74-02-29
Ижевск (3412)26-03-58	Новосибирск (383)227-86-73	Тюмень (3452)66-21-18
Казань (843)206-01-48	Орел (4862)44-53-42	Ульяновск (8422)24-23-59
Калининград (4012)72-03-81	Оренбург (3532)37-68-04	Уфа (347)229-48-12
Калуга (4842)92-23-67	Пенза (8412)22-31-16	Челябинск (351)202-03-61
Кемерово (3842)65-04-62	Пермь (342)205-81-47	Череповец (8202)49-02-64
Киров (8332)68-02-04	Ростов-на-Дону (863)308-18-15	Ярославль (4852)69-52-93

**Единый адрес:** [btk@nt-rt.ru](mailto:btk@nt-rt.ru) **Веб-сайт:** [www.burkert.nt-rt.ru](http://www.burkert.nt-rt.ru)

## **МЕМБРАННЫЕ КЛАПАНЫ**

## DATA SHEET

### Type 2063

Pneumatically actuated diaphragm valve with INOX actuator



## 2/2 way –diaphragm valve with pneumatic actuator in stainless steel (Type INOX )

- Valve housing and diaphragm available in various materials and designs
- Surfaces in contact with the product from  $Ra \leq 0.38 \mu\text{m} \dots 1.6 \mu\text{m}$  (optionally electropolished)
- Available in all common connection sizes and variants

Product variants described in the data sheet may differ from the product presentation and description.

### Can be combined with



**Type 2034** ▶  
Multifunction block and weld solution



**Type 3233** ▶  
2/2 way diaphragm valve with hand actuator



**Type 2036** ▶  
Robolux multiway multiport diaphragm valve, pneumatically operated



**Type 8652** ▶  
AirLINE - the valve island optimised for process automation



**Type 8697** ▶  
Pneumatic control for decentralised automation of ELEMENT process valves

### Type description

The externally controlled diaphragm valve, Type 2063, consists of a pneumatically operated stainless steel piston actuator, a diaphragm and a 2 way valve housing. The proven and robust actuator with stainless steel housing ensures use under hygienic or aggressive environmental conditions. The flow-efficient valve housing with little dead space enables high flow rates and a wide range of possible uses. The valve housing and the diaphragm are available in all common materials and designs. The actuator has a compact, autoclavable design with a large stainless steel housing, high temperature resistance and gap-free seals.

The integration of automation units 8697 is possible in all expansion stages (can be retrofitted). The actuator is provided with an integrated, optical position indicator as standard.

## 1. General technical data

Product properties	
Dimensions	Detailed information can be found in chapter <b>"4. Dimensions"</b> on page 6.
Material	
Forged body (VS) <sup>1.)</sup>	Forged stainless steel 316L/1.4435/BN2, Fe <0.5 %/C ≤0.03 %
Tube valve body (VP) <sup>1.)</sup>	Stainless steel 316L/1.4435/BN2
Cast body (VG) <sup>1.)</sup>	Cast stainless steel 316L/1.4435
Diaphragm	EPDM (AD) <sup>1.)</sup> , PTFE/EPDM (EA) <sup>1.)</sup> , advanced PTFE/EPDM (EU) <sup>1.)</sup> , GYLON®/EPDM laminated (ER) <sup>1.)</sup>
Actuator cover	1.4404
Diaphragm socket	1.4308
Diaphragm size	8...50
Standard surface quality	
Forged body (VS) <sup>1.)</sup>	Internal electrically polished : Ra ≤0.38 µm (NO17) <sup>1.)</sup> (ASME BPE SF4/DIN HE4) (external forged surface electrically polished) Internal mechanically polished : Ra ≤0.5 µm (NO14) <sup>1.)</sup> (ASME BPE SF1) (external forged surface)
Tube valve body (VP) <sup>1.)</sup>	Internal electrically polished : Ra ≤0.38 µm (NO17) <sup>1.)</sup> (ASME BPE SF4/DIN HE4) External glass bead blasted: Ra ≤1.6 µm (NO01) <sup>1.)</sup> Internal glass bead blasted: Ra ≤1.6 µm (NO05) <sup>1.)</sup>
Cast body (VG) <sup>1.)</sup>	Internal electrically polished : Ra ≤0.6 µm (NO16) <sup>1.)</sup> (ASME BPE SF6) (external cast surface electrically polished) Internal mechanically polished : Ra ≤0.76 µm (NO06) <sup>1.)</sup> (ASME BPE SF3/DIN H2) (external cast surface)
Performance data	
Pilot pressure (max.)	10.5 bar 7.5 bar for Actuator size 130 <sup>1.)</sup> See <b>"5.2. Medium pressure"</b> on page 19
Pilot air ports	Thread G ½
Medium data	
Medium	Neutral gases and fluids, highly purified, sterile, aggressive or abrasive medium (see <b>Resistance Chart</b> ▶)
Medium temperature	
EPDM (AD) <sup>1.)</sup>	-10...+143 °C (steam sterilisation + 150 °C for 60 min)
PTFE/EPDM (EA) <sup>1.)</sup>	-10...+130 °C (steam sterilisation + 140 °C for 60 min)
PTFE/EPDM (EU) <sup>1.)</sup>	-5...+143 °C (steam sterilisation + 150 °C for 60 min)
GYLON®/EPDM laminated (ER) <sup>1.)</sup>	-5...+130 °C (steam sterilisation + 140 °C for 60 min)
Control medium	Neutral gases/air
Process/Port connection & communication	
Nominal diameter	DN8...DN65 (according to body version)
Port connections <sup>2.)</sup>	
Welded connection <sup>2.)</sup>	DIN EN ISO 1127/ISO 4200/DIN 11866 series B DIN 11850 series 2/DIN 11866 series A/DIN EN 10357 series A ASME BPE/DIN 11866 series C
Clamp connection <sup>2.)</sup>	DIN 32676 series A (DIN pipe) DIN 32676 series B (ISO pipe) ASME BPE
Environment and installation	
Installation position/Installation	See <b>operating manual</b> ▶
Ambient temperature	0 °C...+60 °C, autoclavable (acc. to technical clarification)





1.) This information is part of the product key (see product enquiry form at the end of this data sheet)

2.) Further versions on request

## 2. Approvals

**Note:**

If you need one of these certificates, please contact your Bürkert partner.

Approvals/ Conformity/ Certificate <sup>1)</sup>	Description
	<b>ATEX/IECEX<sup>2)</sup></b> EPS 18 ATEX 2 008 X II 2G Ex h IIC T4 Gb/II 2D Ex h IIIC T135 °C Db IECEX EPS 18.0007X Ex h IIC T4 Gb/Ex h IIIC T135 °C Db
	EHEDG (European Hygienic Engineering & Design Group) <sup>3) 4)</sup>
	The diaphragms made of EPDM (AD), PTFE/EPDM (EA), advanced PTFE/EPDM (EU) and GYLON®/EPDM laminated (ER) are suitable for use with food and beverages (acc. to EC Regulation 1935/2004/EC).
	Diaphragms made of EPDM (AD), PTFE/EPDM (EA), advanced PTFE/EPDM (EU) and GYLON®/EPDM laminated (ER) are acc. to USP Class VI tested.
<b>FDA</b>	Diaphragms made of EPDM (AD), PTFE/EPDM (EA), advanced PTFE/EPDM (EU) and GYLON®/EPDM laminated (ER) comply with the Code of Federal Regulations published by the FDA (Food and Drug Administration, USA).

1.) Further approvals/conformity clarification on request

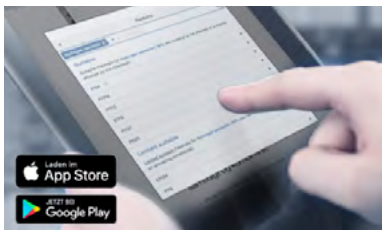
2.) Only in combination with variable code «PX51» (see product enquiry form at the end of this data sheet)

3.) For forged bodies only in connection with variable code «PI01» (see product enquiry form at the end of this data sheet)

4.) For all versions of the pipe forming body with EPDM or PTFE diaphragm

### 3. Materials

#### 3.1. Chemical Resistance Chart – Bürkert resistApp



**Bürkert resistApp – Chemical Resistance Chart**

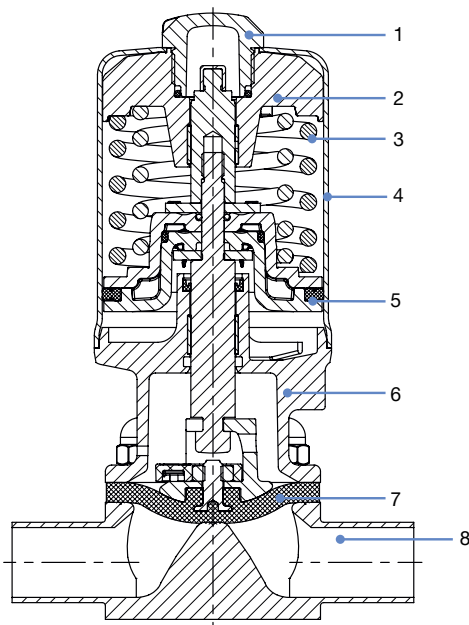
You want to ensure the reliability and durability of the materials in your individual application case? Verify your combination of media and materials on our website or in our resistApp.

[Start Chemical Resistance Check](#)

#### 3.2. Material specifications

**Note:**

Exemplary representation may differ from the actual product



No.	Element	Material
1	Optical position indicator	Polysulfone PSU
2	Spring support	Stainless steel 1.4308
3	Spring	EN10270-2 FDSiCr
4	Actuator cover	Stainless steel 1.4404 (316L)
5	Piston seal	FKM
6	Actuator base (diaphragm socket)	Stainless steel 1.4308
7	Diaphragm	EPDM (AD), PTFE/EPDM (EA), advanced PTFE/EPDM (EU), Gylon@/EPDM laminated (ER)
8	Valve body	See “1. General technical data” on page 3

#### 3.3. Example of available membrane materials

The diaphragms have been developed to meet the unique challenges of hygienic and sterile requirements. Bürkert offers diaphragms with precise material composition and high accuracy. Bürkert diaphragms are available in a wide range of materials which have been tested and proven in applications in the food and beverage, biotechnology, pharmaceutical and cosmetics industries. The diaphragms are tested during development and production to ensure reliability under difficult process conditions.



- EPDM (AD)
- PTFE/EPDM (EA)
- advanced PTFE/EPDM (EU)
- Gylon@/EPDM laminated (ER)

For further information please refer to our flyer “Diaphragm competence for hygienic applications” on our [website](#) ▶.

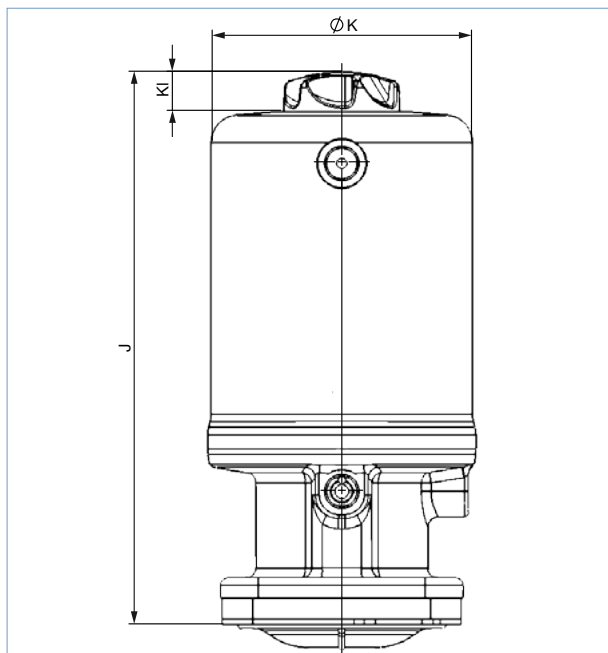
## 4. Dimensions

### 4.1. Actuator

#### INOX actuators

**Note:**

Dimensions in mm, unless otherwise stated



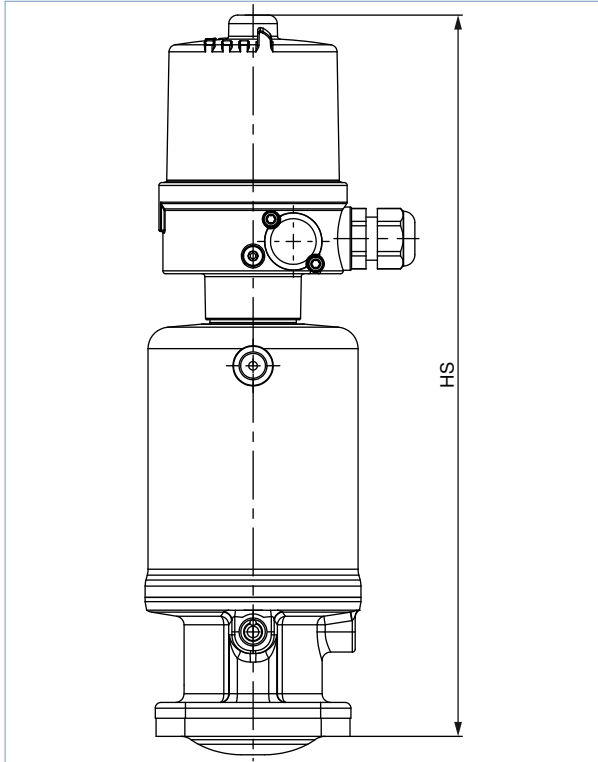
Diaphragm size	Actuator size	J	ØK	KI
15	D (Ø50)	130	55	11
	M (Ø70)	139	75	11
20	M (Ø70)	148	75	11
	M (Ø70)	155	75	11
25	N (Ø90)	182	96	14
	N (Ø90)	192	96	14
40	P (Ø130)	244	137	14
	P (Ø130)	250	137	14

**Type 2063**  
**Pneumatically actuated diaphragm**  
**valve with INOX actuator**

**INOX actuator with control Type 8697**

**Note:**

Dimensions in mm, unless otherwise stated

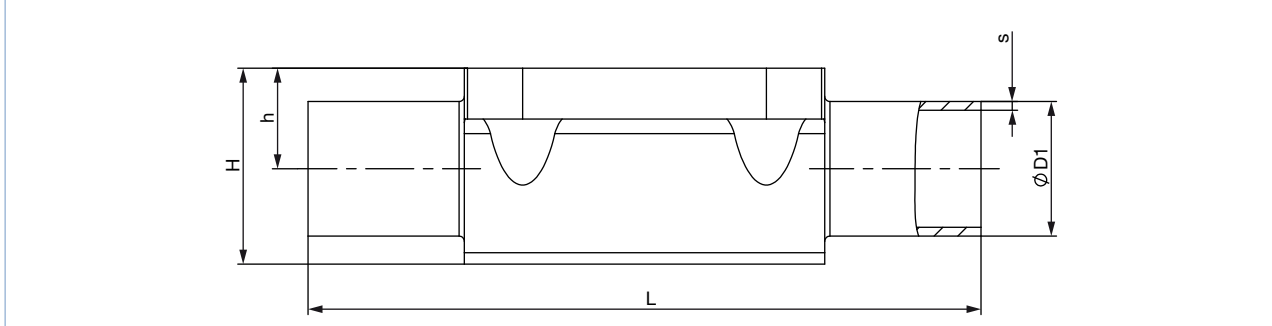


Diaphragm size	Actuator size	HS
15	D (Ø 50)	236.9
	M (Ø 70)	245.9
20	M (Ø 70)	254.9
25	M (Ø 70)	261.9
	N (Ø 90)	288.9
40	N (Ø 90)	298.9
	P (Ø 130)	350.9
50	P (Ø 130)	356.9

**4.2. Forged body (VS) with welded connection**

**Note:**

- Dimensions in mm, unless otherwise stated
- For detailed information on the draining angle, please refer to the “Additional manual Type 2xxx 3xxx” on our website (see [operating instructions](#) ▶).



Diaphragm size	Port connection DN	ØD1	s	L	h	H	Product key <sup>1)</sup>
<b>DIN EN ISO 1127/ISO 4200/DIN 11866 series B</b>							
8	8	13.5	1.6	90	9.3	18.8	SA40
15	8	13.5	1.6	108	8.15	19.85	SA40
8	10	17.2	1.6	90	9.3	18.8	SA41
15	10	17.2	1.6	110	12.05	23.75	SA41
15	15	21.3	1.6	110	12.05	23.75	SA42
20	15	21.3	1.6	119	16	30.3	SA42
20	20	26.9	1.6	119	16	30.3	SA43
25	20	26.9	1.6	119	19	37	SA43
25	25	33.7	2.0	129	19	37	SA44
40	25	33.7	2.0	161	27.6	52.4	SA44
40	32	42.4	2.0	161	27.6	52.4	SA45
40	40	48.3	2.0	161	27.6	52.4	SA46
50	50	60.3	2.0	192	35.5	68.3	SA47
<b>DIN 11850 series 2/DIN 11866 series A/DIN EN 10357 series A</b>							
8	10	13	1.5	90	9.3	18.8	SD40
15	10	13	1.5	110	8.15	19.85	SD40
15	15	19	1.5	110	12.05	23.75	SD42
20	20	23	1.5	119	16.0	30.3	SD43
25	25	29	1.5	129	19.0	37.0	SD44
40	32	35	1.5	161	27.6	52.4	SD45
40	40	41	1.5	161	27.6	52.4	SD46
50	50	53	1.5	192	35.5	68.3	SD47
<b>ASME BPE/DIN 11866 series C</b>							
8	¼"	6.35	0.89	78	5.7	15.2	SA90
8	⅜"	9.53	0.89	89	5.7	15.2	SA91
8	½"	12.7	1.65	89	9.3	18.8	SA92
15	½"	12.7	1.65	108	8.15	19.85	SA92
15	¾"	19.05	1.65	108	12.05	23.75	SA93
20	¾"	19.05	1.65	117	16.0	30.3	SA93
25	1"	25.4	1.65	127	19.0	37.0	SODF
40	1½"	38.1	1.65	159	27.6	52.4	SODH
50	2"	50.8	1.65	190	35.5	68.3	SODI
50	2½"	63.5	1.65	192	35.5	68.6	SODJ



**Type 2063**  
**Pneumatically actuated diaphragm**  
**valve with INOX actuator**



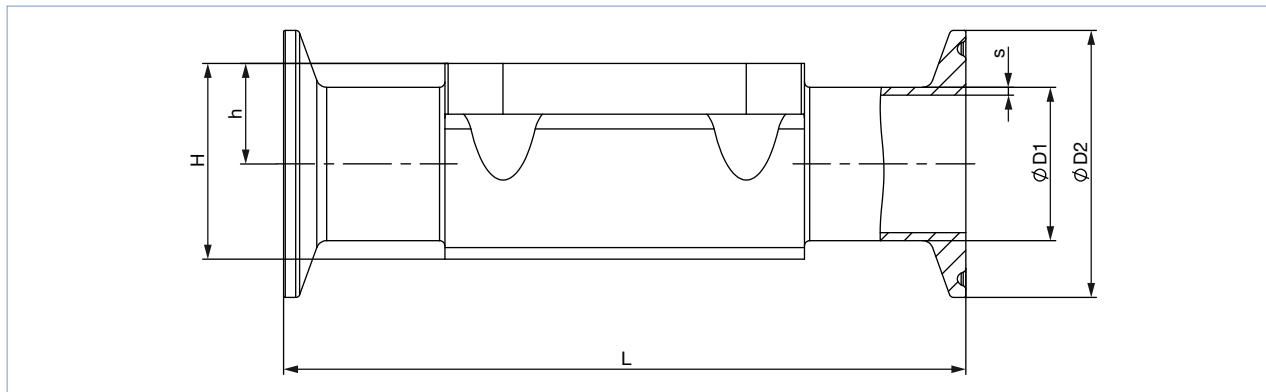
Diaphragm size	Port connection DN	ØD1	s	L	h	H	Product key <sup>1.)</sup>
<b>BS 4825</b>							
8	8	6.35	1.20	78	5.7	15.2	SODB
8	10	9.53	1.20	89	5.7	15.2	SODC
15	15	12.7	1.20	108	8.15	19.85	SODD
20	20	19.05	1.20	117	16.0	30.3	SODE
25	25	25.4	1.65	127	19.0	37.0	SODF
40	40	38.1	1.65	159	27.6	52.4	SODH
50	50	50.8	1.65	190	35.5	68.3	SODI
50	65	63.5	1.65	192	35.5	68.6	SODJ
<b>SMS 3008</b>							
25	25	25	1.2	129	19	37	SA60
40	40	38	1.2	161	27.6	52.4	SA62
50	50	51	1.2	192	35.5	68.3	SA63
<b>DIN 11850 series 0</b>							
8	6	8	1.0	90	5.7	15.2	SC41
8	8	10	1.0	90	5.7	15.2	SC42

1.) This information is part of the product key (see product enquiry form at the end of this data sheet)

### 4.3. Forged body (VS) with Clamp-connection

**Note:**

- Dimensions in mm, unless otherwise stated
- For detailed information on the draining angle, please refer to the “Additional manual Type 2xxx 3xxx” on our website (see **operating instructions** ▶).



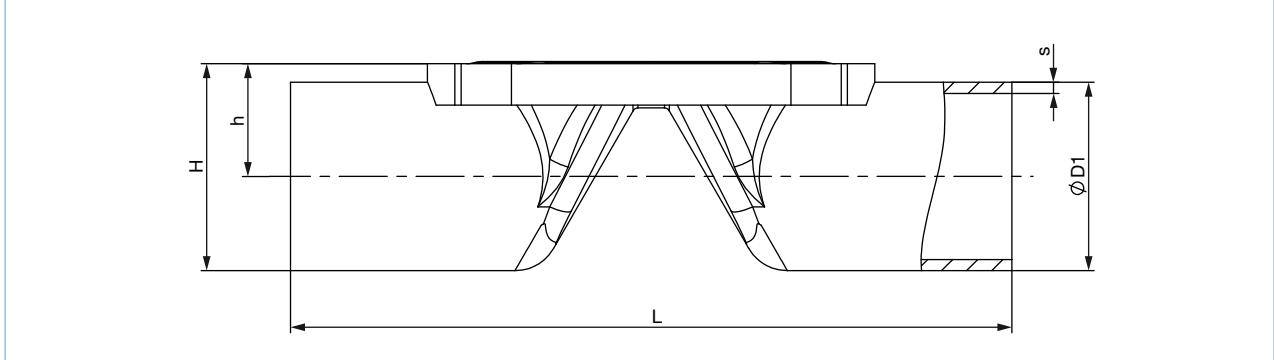
Diaphragm size	Port connection DN	ØD1	s	ØD2	L	h	H	Product key <sup>1.)</sup>	Variable code <sup>1.)</sup>
<b>DIN 32676 series B (ISO pipe)</b>									
15	15	21.3	1.6	50.5	167	12.05	23.75	TC52	–
20	20	26.9	1.6	50.5	114	16.0	30.3	TC43	–
25	25	33.7	2	50.5	129	19	37	TC44	–
40	40	48.3	2	64.0	161	27.6	52.4	TC46	–
50	50	60.3	2	77.5	190	35.5	68.3	TC47	–
<b>DIN 32676 series A (DIN pipe)</b>									
8	10	13	1.5	34.0	126	9.3	18.8	TD41	–
15	10	13	1.5	34.0	110	8.15	19.85	TD41	–
15	15	19	1.5	34.0	110	12.05	23.75	TD42	–
20	20	23	1.5	34.0	119	16	30.3	TD43	–
25	25	29	1.5	50.5	129	19	37	TD44	–
40	40	41	1.5	50.5	161	27.6	52.4	TD46	–
50	50	53	1.5	64.0	192	35.5	68.3	TD47	–
<b>ASME BPE</b>									
8	¼"	6.35	0.89	25.0	64.5	5.7	15.2	TG50	–
8	⅜"	9.53	0.89	25.0	89	5.7	15.2	TG01	AF34
8	½"	12.7	1.65	25.0	64	9.3	18.8	TG02	–
8	½"	12.7	1.65	25.0	89	9.3	18.8	TG02	AF34
15	½"	12.7	1.65	25.0	89	8.15	19.85	TG02	–
15	½"	12.7	1.65	25.0	108	8.15	19.85	TG02	AF34
15	¾"	19.05	1.65	25.0	89	12.05	23.75	TG03	–
20	¾"	19.05	1.65	25.0	102	16	30.3	TG03	–
20	¾"	19.05	1.65	25.0	117	16	30.3	TG03	AF34
25	1"	25.4	1.65	50.5	114	19	37	TG04	–
25	1"	25.4	1.65	50.5	127	19	37	TG04	AF34
40	1½"	38.1	1.65	50.5	140	27.6	52.4	TG05	–
40	1½"	38.1	1.65	50.5	159	27.6	52.4	TG05	AF34
50	2"	50.8	1.65	64.0	159	35.5	68.3	TG06	–
50	2"	50.8	1.65	64.0	190	35.5	68.3	TG06	AF34

1.) This information is part of the product key (see product enquiry form at the end of this data sheet)

**4.4. Tube valve body (VP) with welded connection**

**Note:**

- Dimensions in mm, unless otherwise stated
- For detailed information on the draining angle, please refer to the “Additional manual Type 2xxx 3xxx” on our website (see [operating instructions](#) ▶).



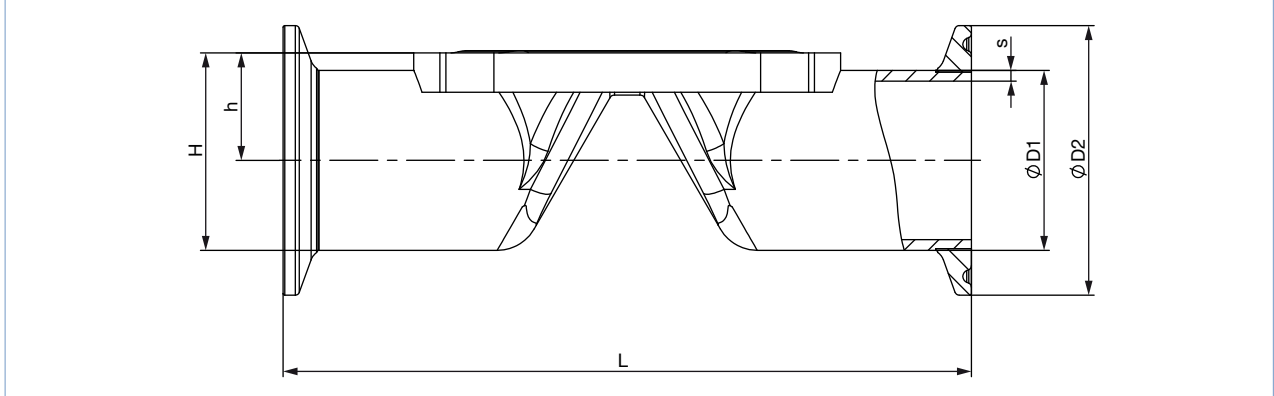
Diaphragm size	Port connection DN	ØD1	s	L	h	H	Product key <sup>1.)</sup>
<b>DIN EN ISO 1127/ISO 4200/DIN 11866 series B</b>							
8	8	13.5	1.6	90.0	9.85	16.6	SA40
8	10	17.2	1.6	90.0	11.70	20.3	SA41
15	15	21.3	1.6	110.0	14.35	25.0	SA42
20	20	26.9	1.6	119.0	17.15	30.45	SA43
25	25	33.7	2.0	129.0	20.55	37.4	SA44
32	32	42.4	2.0	148.0	25.10	46.3	SA45
40	40	48.3	2.0	161.0	29.35	53.5	SA46
50	50	60.3	2.0	192.0	35.35	65.50	SA47
<b>DIN 11850 series 2/DIN 11866 series A/DIN EN 10357 series A</b>							
8	10	13	1.5	90	9.85	16.35	SD40
15	15	19	1.5	110	13.20	22.70	SD42
15	20	23	1.5	119	15.20	26.70	SD43
20	25	29	1.5	129	18.20	32.70	SD44
25	32	35	1.5	148	21.20	38.70	SD45
32	40	41	1.5	161	24.40	44.90	SD46
40	50	53	1.5	192	31.70	58.20	SD47
<b>ASME BPE/DIN 11866 series C</b>							
8	½"	12.7	1.65	90.0	9.45	21.95	SA92
15	¾"	19.05	1.65	117.0	13.23	25.73	SA93
20	1"	25.4	1.65	127.0	16.40	41.65	SODF
32	1½"	38.1	1.65	159.0	22.95	48.20	SODH
40	2"	50.8	1.65	190	30.60	62.60	SODI

1.) This information is part of the product key (see product enquiry form at the end of this data sheet)

**4.5. Tube valve body (VP) with clamp connection**

**Note:**

- Dimensions in mm, unless otherwise stated
- For detailed information on the draining angle, please refer to the “Additional manual Type 2xxx 3xxx” on our website (see [operating instructions](#) ▶).



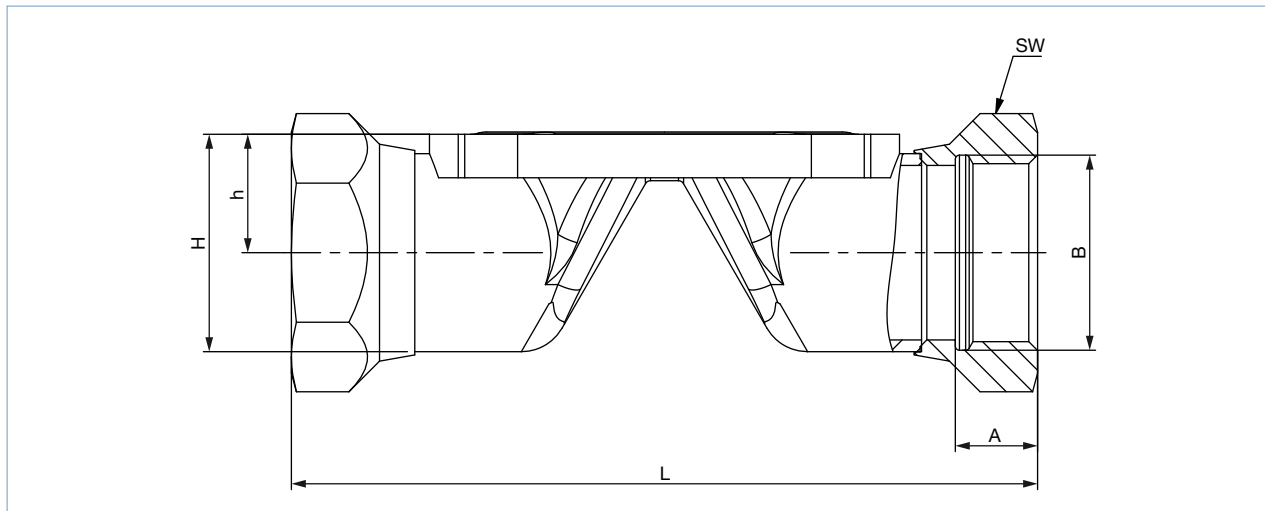
Diaphragm size	Port connection DN	ØD1	s	ØD2	L	h	H	Product key <sup>1.)</sup>
<b>DIN 32676 series B (ISO pipe)</b>								
8	8	13.5	1.6	25.0	89	9.85	22.35	TC40
8	10	17.2	1.6	25.0	89	11.70	24.20	TC53
15	15	21.3	1.6	50.5	110	14.35	39.60	TC52
20	20	26.9	1.6	50.5	119	17.15	42.40	TC43
25	25	33.7	2.0	50.5	129	20.55	45.80	TC44
32	32	42.4	2.0	64.0	148	25.10	57.10	TC55
40	40	48.3	2.0	64.0	161	29.35	61.35	TC46
50	50	60.3	2.0	77.5	192	35.35	74.10	TC47
<b>DIN 32676 series A (DIN pipe)</b>								
8	10	13.0	1.5	34.0	89	9.85	26.85	TD41
15	15	19.0	1.5	34.0	110	13.2	30.20	TD42
15	20	23.0	1.5	34.0	119	15.20	32.20	TD43
20	25	29.0	1.5	50.5	129	18.20	43.45	TD44
25	32	35.0	1.5	50.5	148	21.20	46.45	TD45
32	40	41.0	1.5	50.5	161	24.40	49.65	TD46
40	50	53.0	1.5	64.0	192	31.70	63.70	TD47
<b>ASME BPE</b>								
8	½"	12.7	1.65	25.0	89	9.45	21.95	TG02
15	¾"	19.05	1.65	25.0	102	13.20	25.73	TG03
20	1"	25.4	1.65	50.5	114	16.40	41.65	TG04
32	1½"	38.10	1.65	50.5	140	22.95	48.20	TG05
40	2"	50.80	1.65	64.0	159	30.60	62.60	TG06

1.) This information is part of the product key (see product enquiry form at the end of this data sheet)

**4.6. Tube valve body (VP) with threaded connection**

**Note:**

- Dimensions in mm, unless otherwise stated
- For detailed information on the draining angle, please refer to the “Additional manual Type 2xxx 3xxx” on our website (see [operating instructions](#) ▶).



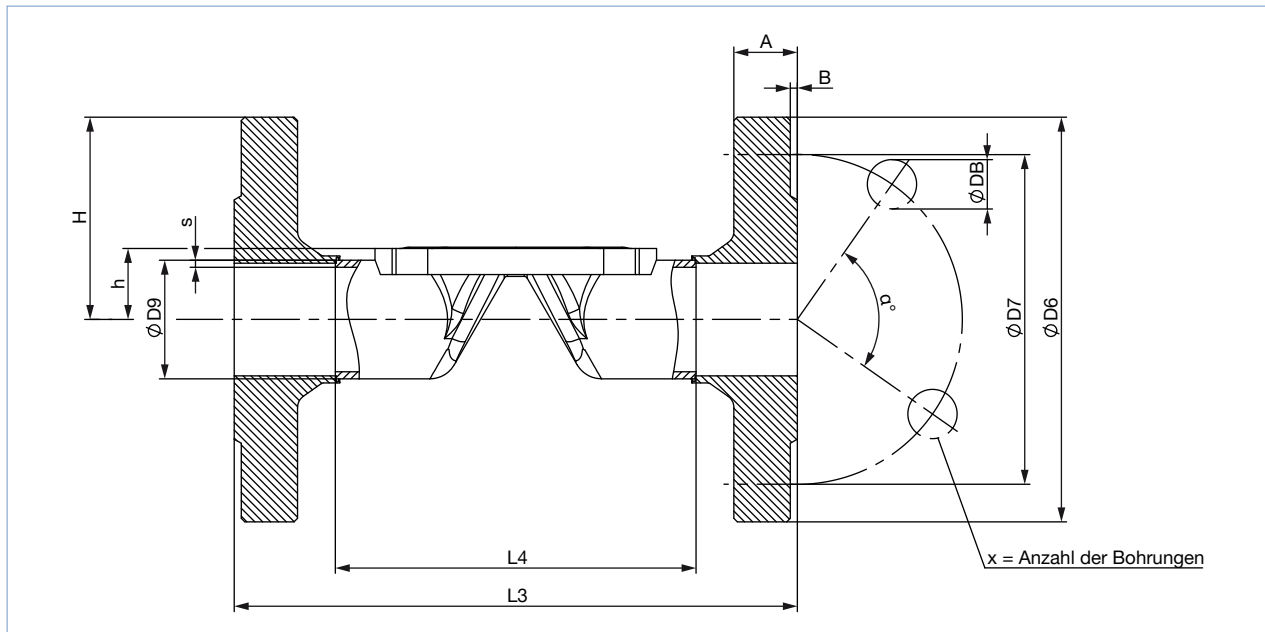
Diaphragm size	L	A	B	h	H	Spanner width of threaded ports	Product key <sup>1.)</sup>
08	85	9	G ¼	11.70	20.3	17	GM82
15	102	14	G ½	14.35	25.0	27	GM84
20	118	12	G ¾	17.15	30.45	32	GM85
25	127	14	G 1	20.55	37.4	41	GM86
32	146	16	G 1¼	25.10	46.3	50	GM87
40	159	18	G 1½	29.35	53.5	60	GM88
50	191	20	G 2	35.35	65.50	70	GM89
Diaphragm size	L	A	B	h	H	Spanner width of threaded ports	Product key <sup>1.)</sup>
08	85	9.7	Rc ¼	11.70	20.3	17	RC82
15	102	13.2	Rc ½	14.35	25.0	27	RC84
20	118	14.5	Rc ¾	17.15	30.45	32	RC85
25	127	16.8	Rc 1	20.55	37.4	41	RC86
32	146	19.1	Rc 1¼	25.10	46.3	50	RC87
40	159	19.1	Rc 1½	29.35	53.5	60	RC88
50	191	23.4	Rc 2	35.35	65.50	70	RC89
Diaphragm size	L	A	B	h	H	Spanner width of threaded ports	Product key <sup>1.)</sup>
08	85	10	NPT ¼	11.70	20.3	17	NM82
15	102	13.7	NPT ½	14.35	25.0	27	NM84
20	118	14	NPT ¾	17.15	30.45	32	NM85
25	127	16.8	NPT 1	20.55	37.4	41	NM86
32	146	17.3	NPT 1¼	25.10	46.3	50	NM87
40	159	17.3	NPT 1½	29.35	53.5	60	NM88
50	191	17.6	NPT 2	35.35	65.50	70	NM89

1.) This information is part of the product key (see product enquiry form at the end of this data sheet)

**4.7. Tube valve body (VP) with flange connection**

**Note:**

- Dimensions in mm, unless otherwise stated
- For detailed information on the draining angle, please refer to the “Additional manual Type 2xxx 3xxx” on our website (see **operating instructions** ▶).



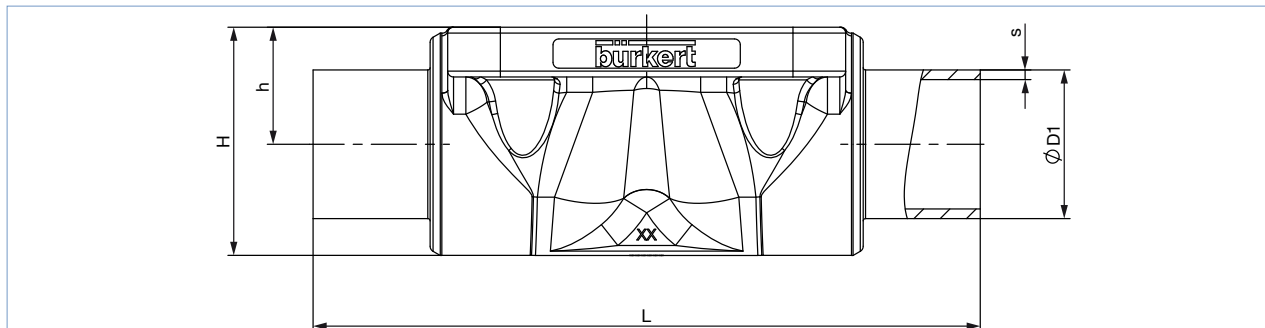
Diaphragm size	L4	L3	s3	ØD9	ØD6	ØD7	a°	ØDB	A	B	X	Product key <sup>1.)</sup>
<b>DIN EN 1092-1</b>												
15	76.5	130	1.6	21.3	76.5	65.0	90	14	16	2	4	FD22
20	92.5	150	1.6	26.9	92.5	75.0	90	14	18	2	4	FD23
25	102.5	160	2.0	33.7	102.5	85.0	90	14	18	2	4	FD24
32	122.5	180	2.0	42.4	122.5	100.0	90	18	18	2	4	FD25
40	136.5	200	2.0	48.3	136.5	110.0	90	18	18	3	4	FD26
50	160.5	230	2.0	60.3	160.5	125.0	90	18	20	3	4	FD27
<b>ANSI B16.5</b>												
15	67.0	130	1.6	21.3	89	60.5	90	15.7	11.2	1.6	4	FA02
25	106.0	160	2.0	33.7	108	79.2	90	15.7	14.2	1.6	4	FA04
40	128.0	200	2.0	48.3	127	98.6	90	15.7	17.5	1.6	4	FA06
50	151.0	230	2.0	60.3	152	120.7	90	19.1	19.1	1.6	4	FA07
<b>JIS 10K</b>												
15	89	130	1.6	21.3	95	70	90	15	12	1	4	FJ02
20	103	150	1.6	26.9	100	75	90	15	14	1	4	FJ02
25	116	160	2.0	33.7	125	90	90	19	14	1	4	FJ03
40	147	200	2.0	48.3	140	105	90	19	16	2	4	FJ05
50	175	230	2.0	60.3	155	120	90	19	16	2	4	FJ06

1.) This information is part of the product key (see product enquiry form at the end of this data sheet)

**4.8. Cast body (VG) with welded connection**

**Note:**

- Dimensions in mm, unless otherwise stated
- For detailed information on the draining angle, please refer to the “Additional manual Type 2xxx 3xxx” on our website (see **operating instructions** ▶).



Diaphragm size	Port connection DN	ØD1	s	L	h	H	Product key <sup>1,3)</sup>
<b>DIN EN ISO 1127/ISO 4200/DIN 11866 series B</b>							
8	8	13.5	1.6	90	9.6	18.5	SA40
8	10	17.2	1.6	90	9.6	18.6	SA41
15	15	21.3	1.6	110	13.5	25.0	SA42
20	15	21.3	1.6	119	18.0	32.9	SA42
20	20	26.9	1.6	119	18.0	32.7	SA43
25	25	33.7	2.0	129	20.0	39.0	SA44
40	32	42.4	2.0	161	28.6	55.0	SA45
40	40	48.3	2.0	161	28.6	55.0	SA46
50	50	60.3	2.0	192	35.5	68.0	SA47
<b>DIN 11850 series 2/DIN 11866 series A/DIN EN 10357 series A</b>							
8	10	13	1.5	90	9.6	18.6	SD40
15	15	19	1.5	110	13.5	25.0	SD42
20	20	23	1.5	119	18.0	32.8	SD43
25	25	29	1.5	129	20.0	39.0	SD44
40	40	41	1.5	161	28.6	55.0	SD46
50	50	53	1.5	192	35.5	68.0	SD47
<b>ASME BPE/DIN 11866 series C</b>							
8	¼"	6.35	0.89	64.5	9.6	18.6	SA90
8	⅜"	9.53	0.89	89	9.6	18.6 (18.9)	SA91
8	½"	12.7	1.65	89	9.6	18.6	SA92
15	¾"	19.05	1.65	102	13.5	25.0	SA93
20	¾"	19.05	1.65	119	18.0	32.8	SA93
20	1"	25.4	1.65	119	18.0	32.7	SODF
25	1"	25.4	1.65	114	20.0	39.0	SODF
40	1½"	38.1	1.65	140	28.6	55.0	SODH
50	2"	50.8	1.65	159	35.5	68.0	SODI
50	2½"	63.5	1.65	192	35.5	68.0	SODJ
<b>BS 4825</b>							
8	8	6.35	1.20	64.5	9.6	18.6	SODB
8	10	9.53	1.20	89	9.6	18.6	SODC
8	15	12.7	1.20	89	9.6	18.6	SODD
15	20	19.05	1.20	102	14.0	25.5	SODE
20	25	25.4	1.65	119	18.0	32.8	SODF
25	25	25.4	1.65	114	20.0	39.0	SODF
40	40	38.1	1.65	140	28.6	55.0	SODH
50	50	50.8	1.65	159	35.5	68.0	SODI
50	65	63.5	1.65	192	35.5	68.0	SODJ

DTS 1000450606 EN Version: A Status: RL (released | freigegeben | valide) printed: 16.02.2021

**Type 2063**  
**Pneumatically actuated diaphragm**  
**valve with INOX actuator**



Diaphragm size	Port connection DN	ØD1	s	L	h	H	Product key <sup>1.)</sup>
<b>SMS 3008</b>							
20	25	25	1.2	119	18.0	32.8	SA60
25	25	25	1.2	129	20.0	39.0	SA60
40	40	38	1.2	161	28.6	55.0	SA62
50	50	51	1.2	192	35.5	68.0	SA63
<b>DIN 11850 series 0</b>							
8	4	6	1.0	90	9.6	18.6	SC40
8	6	8	1.0	90	9.6	18.6	SC41
8	8	10	1.0	90	9.6	18.6	SC42
15	15	18	1.5	110	13.5	25.0	SC43
20	20	22	1.5	119	18.0	32.8	SC44
25	25	28	1.5	129	20.0	39.0	SC45
25	32	34	1.5	129	20.0	39.0	SC46
40	40	40	1.5	161	28.6	56.0	SC47
50	50	52	1.5	192	35.5	68.0	SC48

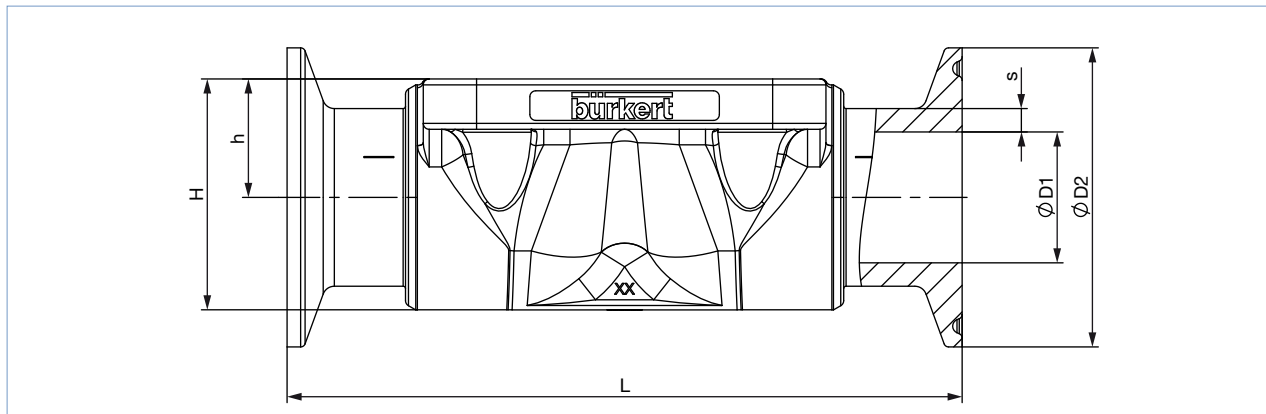
1.) This information is part of the product key (see product enquiry form at the end of this data sheet)



#### 4.9. Cast body (VG) with clamp connection

**Note:**

- Dimensions in mm, unless otherwise stated
- For detailed information on the draining angle, please refer to the “Additional manual Type 2xxx 3xxx” on our website (see **operating instructions** ▶).



Diaphragm size	Port connection DN	ØD1	s	ØD2	L	h	H	Product key <sup>1.)</sup>
<b>DIN 32676 series B (ISO pipe)</b>								
25	25	33.7	2	50.5	129	20.0	39.0	TC44
40	40	48.3	2	64.0	161	28.6	55.0	TC46
50	50	60.3	2	77.5	192	35.5	68.0	TC47
<b>DIN 32676 series A (DIN pipe)</b>								
15	15	19	1.5	34.0	110	13.5	25.0	TD42
20	20	23	1.5	34.0	119	18.0	32.8	TD43
25	25	29	1.5	50.5	129	20.0	39.0	TD44
40	40	41	1.5	50.5	161	28.6	55.0	TD46
50	50	53	1.65	64.0	192	35.5	68.0	TD47
<b>ASME BPE</b>								
8	3/8"	9.53	0.89	25.0	89	9.6	18.6	TG01
8	1/2"	12.7	1.65	25.0	89	9.6 (9.3)	18.6	TG02
15	3/4"	19.05	1.65	25.0	102	13.5	23.0	TG03
20	3/4"	19.05	1.65	25.0	117	18.0	25.0	TG03
25	1"	25.4	1.65	50.5	114	18.0	40.0	TG04
40	1 1/2"	38.1	1.65	50.5	140	28.6	55.0	TG05
50	2"	50.8	1.65	64.0	159	35.5	68.0	TG06
50	2 1/2"	63.5	1.65	77.5	190	35.5	68.0	TG07
<b>BS 4825: Clamp BS 4825 - 3/pipe BS 4825 - 1</b>								
8	15	12.7	1.2	25	89	9.6	18.9	TH42
15	20	19.05	1.2	25	102	13.5	25.0	TH43
25	25	25.4	1.65	50.5	114	20.0	39.0	TG04
40	40	38.1	1.65	50.5	140	28.6	55.0	TG05
50	50	50.8	1.65	64.0	159	35.5	68.0	TG06
50	65	63.5	1.65	77.5	190	35.5	68.0	TG07
<b>Clamp 34.0 similar DIN 32676 series B (ISO pipe)</b>								
15	15	21.3	1.6	34	110	13.5	25.0	TC42

1.) This information is part of the product key (see product enquiry form at the end of this data sheet)

## 5. Performance specifications

### 5.1. Flow characteristics

**Note:**

- The  $K_v$  values may vary slightly with different actuator sizes and diaphragm materials.
- Further  $K_v$  values on request
- Flow rate:  $K_v$  value water (m<sup>3</sup>/h) for elastomer diaphragm
- Measurement at +20 °C, 4 bar at valve inlet and 3 bar at valve outlet

#### Forged body (VS)

Diaphragm size	Port connection		K <sub>v</sub> value					
			DIN EN ISO 1127 ISO 4200 DIN 11866 series B	DIN 11850 series 2 DIN 11866 series A DIN EN 10357 series A	ASME BPE DIN 11866 series C	DIN 11850 series 0	BS4825	SMS3008
DN	[mm]	[inch]	[m <sup>3</sup> /h]	[m <sup>3</sup> /h]	[m <sup>3</sup> /h]	[m <sup>3</sup> /h]	[m <sup>3</sup> /h]	[m <sup>3</sup> /h]
15	10	3/8"	5.5	3.5	–	–	–	–
15	15	1/2"	6.5	6.5	3.1	–	3.7	–
15	20	3/4"	–	–	6.5	–	–	–
20	20	3/4"	12.5	12.4	8.4	–	8.9	–
25	25	1"	18	20	15.5	–	15.5	16
40	32	1 1/4"	–	34	–	–	–	–
40	40	1 1/2"	41	40	37	–	37	38
50	50	2"	66	66	66	–	66	66
50	65	2 1/2"	–	–	66	–	66	66

#### Tube valve body (VP)

Diaphragm size	Port connection		K <sub>v</sub> value [m <sup>3</sup> /h]		
			DIN EN ISO 1127 ISO 4200 DIN 11866 series B	DIN 11850 series 2 DIN 11866 series A DIN EN 10357 series A	ASME BPE DIN 11866 series C
DN	[mm]	[inch]	[m <sup>3</sup> /h]	[m <sup>3</sup> /h]	[m <sup>3</sup> /h]
15	10	3/8"	–	–	7.1
15	15	1/2"	7.2	7.4	–
15	20	3/4"	–	7.4	–
20	20	3/4"	13.5	–	–
20	25	1"	–	14.9	12.8
25	32	1 1/4"	–	22.3	–
25	25	1"	20.8	–	–
32	40	1 1/2"	–	34.8	31
40	40	1 1/2"	47.9	–	–
40	50	2"	–	46.2	43
50	50	2"	69.7	–	–

#### Cast body (VG)

Diaphragm size	Port connection		K <sub>v</sub> value
	[mm]	[inch]	[m <sup>3</sup> /h]
15	15	1/2"	5.6
20	20	3/4"	10.7
25	25	1"	14.6
40	40	1 1/2"	35
50	50	2"	47

## 5.2. Medium pressure

### Information for control function A

**Note:**


- For low operating pressures, optional versions with reduced spring force (**EC04**) are recommended.
- Pressure data [bar]: Overpressure to atmospheric pressure. Valve closes dynamically against max. operating pressure.
- Information for control function B and I on request.

Diaphragm size	Actuator size Ø	Pilot pressure	Max. Operating pressure for seal material	
			EPDM, FKM	PTFE/EPDM, advanced PTFE/EPDM, GYLON®/EPDM laminated
DN	[mm]	[bar]	[bar]	[bar]
15	50 (D)	5.0...10.5	8.5	5
	70 (M)		10	10
20	70 (M)	5.0...10.5	10	10
25	70 (M)	5.0...10.5	6.5	4.5
	90 (N)		10	8
32	90 (N)	5...10.5	8	6
40	90 (N)	5.5...10	5.5	5
	130 (P)	5.0...7.5	10	10
50	130 (P)	5.0...7.5	8	7

## 6. Product accessories

**Note:**

Further position feedbacks can be found on our [website](#) ▶

Electrical position feedback	
Type 8697 ▶ Actuator size Ø50...130 mm	Description
	<p>The position feedback Type 8697 is designed for integrated mounting on process valves of the CLASSIC series and especially for the requirements of hygienic process environments. Mechanical or inductive limit switches detect the valve position.</p> <p><b>Features</b></p> <ul style="list-style-type: none"> <li>• Compact design</li> <li>• LED position indicator</li> <li>• Mechanical or inductive limit switches for end position registering</li> <li>• Easy to clean chemically resistant housing featuring IP65/IP67, 4X Rating</li> <li>• Optional intrinsically safe version acc. to ATEX/IECEX</li> </ul> <p><b>Customer benefits</b></p> <ul style="list-style-type: none"> <li>• Easy and quick installation</li> <li>• High level of signal reliability thanks to self adjusting limit switches</li> <li>• Minimised space requirement in the plant piping for more flexibility in plant design</li> </ul>

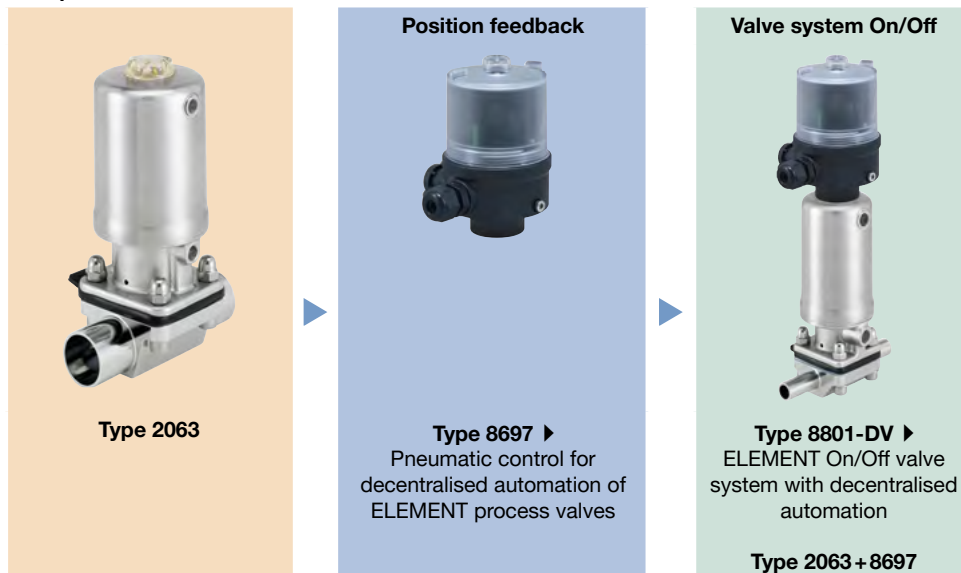
## 7. Networking and combination with other Bürkert products

The **On/Off valve system** with **stainless steel actuator, Type 8801-DV**, consists of a **diaphragm valve, Type 2063**, and an **electrical position feedback, Type 8697**.

**Note:**

- You order two components and receive a completely assembled and tested valve.

**Example:**



## 8. Ordering information

### 8.1. Bürkert eShop – Easy ordering and quick delivery



#### Bürkert eShop – Easy ordering and fast delivery

You want to find your desired Bürkert product or spare part quickly and order directly? Our online shop is available for you 24/7. Sign up and enjoy all the benefits.

[Order online now](#)

### 8.2. Bürkert product filter



#### Bürkert product filter – Get quickly to the right product

You want to select products comfortably based on your technical requirements? Use the Bürkert product filter and find suitable articles for your application quickly and easily.

[Try out our product filter](#)





### 8.3. Bürkert product enquiry form





**Bürkert product enquiry form:** Would you like to make a specific product enquiry based on your technical requirements? Please use our product enquiry form **at the end of this data sheet**. There you will find all the information relevant to your Bürkert contact person that will help us to process your enquiry in the best possible way.

**Bürkert specification key:** In our product enquiry form you will find a complete explanation of the composition of our specification key. You will find our product enquiry form **at the end of this data sheet**.

## Specification key - Examples

2 way diaphragm valve					
<b>Type 2030 ▶</b> CLASSIC with plastic body 	<b>Type 2031 ▶</b> CLASSIC with stainless steel body 	<b>Type 2063 ▶</b> INOX with stainless steel body 	<b>Type 2103 ▶</b> ELEMENT with stainless steel or plastic body 	<b>Type 3232 ▶</b> Manually operated with plastic body 	<b>Type 3233 ▶</b> Manually operated with stainless steel body 

T-diaphragm valve			
<b>Type 2032 ▶</b> CLASSIC T-valve 	<b>Type 2064 ▶</b> INOX T-valve 	<b>Type 2104 ▶</b> ELEMENT T-valve 	<b>Type 3234 ▶</b> Manually operated T-valve 

Tank bottom diaphragm valve			
<b>Type 2033 ▶</b> CLASSIC Tank bottom valve 	<b>Type 2065 ▶</b> INOX Tank bottom valve 	<b>Type 2105 ▶</b> ELEMENT Tank bottom valve 	<b>Type 3235 ▶</b> Manually operated tank bottom valve 

	Type	Control function	Nominal diameter diaphragm	Diaphragm material	Body material	Port connection	Port connection	Actuator version	Actuator size	Pilot air port	Actuator	Variable	Variable	Variable
Key Feature	TYP	SF	DN	DWST	WKST	LTA1	LTA2	ANTA	ANTG	STLA	ANTR	VAR1	VAR2	VAR3
Key No. →	1	2	3	4	5	6	6	7	8	9	10	V1	V2	V3

2 way diaphragm valve														
Type 2030 CLASSIC	2030	A	20.0	AD	PV	KM26	-	C	E	-	-			
Type 2031 CLASSIC	2031	A	20.0	AD	VS	SA93	-	C	E	-	-	NK52	NO14	
Type 2063 INOX	2063	A	20.0	AD	VS	SA93	-	H	M	-	-	NK52	NO14	
Type 2103 ELEMENT	2103	A	20.0	AD	PV	KM26	-	G	M	FA01	-			
Type 2103 ELEMENT	2103	A	20.0	AD	VS	SA93	-	G	M	FA01	-	NK52	NO14	
Type 3232	3232	-	20.0	AD	PV	KM26	-	-	-	-	D050			
Type 3233	3233	-	20.0	AD	VS	SA93	-	-	-	-	D051	NK52	NO14	
T-diaphragm valve														
Type 2032 CLASSIC	2032	A	20.0	AD	VH	SODH	SA93	D	E	-	-	NK52	NO14	
Type 2064 INOX	2064	A	20.0	AD	VH	SODH	SA93	-	M	-	-	NK52	NO14	
Type 2104 ELEMENT	2104	A	20.0	AD	VH	SODH	SA93	-	M	FA01	-	NK52	NO14	
Type 3234	3234	-	20.0	AD	VH	SODH	SA93	-	-	-	D050	NK52	NO14	
Tank bottom diaphragm valve														
Type 2033 CLASSIC	2033	A	20.0	AD	VH	SA93	-	D	F	-	-	NK52	NO14	
Type 2065 INOX	2065	A	20.0	AD	VH	SA93	-	-	M	-	-	NK52	NO14	
Type 2105 ELEMENT	2105	A	20.0	AD	VH	SA93	-	-	M	FA01	-	NK52	NO14	
Type 3235	3235	-	20.0	AD	VH	SA93	-	-	-	-	D050	NK52	NO14	

1.) NK52, NOxx only for stainless steel bodies

DTS 1000450606 EN Version: A Status: RL (released | freigegeben | valide) printed: 16.02.2021

## Key Legend

**Note:**

- Other versions on request
- Available Type sizes see corresponding data sheet

Key no. 2: Control function (SF)		Key no. 8: Actuator size (ANTG)	
A	Closed with spring force	B	ø 32
B	Open with spring force	C	ø 40
I	Without pressure spring	D	ø 50
<b>Key no. 3: Nominal diameter diaphragm (DN)</b>		E	ø 63
8	25	F	ø 80
15	32	G	ø 100
20	40	H	ø 125
<b>Key no. 4: Diaphragm material (DWST)</b>		K	ø 175
AD	EPDM	L	ø 225
EA	PTFE/EPDM	M	ø 70
EU	Advanced PTFE/EPDM laminated	N	ø 90
ER	Gylon®/EPDM laminated	P	ø 130
<b>Key no. 5: Body material (WKST)</b>		<b>Key no. 9: Pilot air port (ELEMENT) (STLA)</b>	
PD	PVDF (Polyvinylidene fluoride)	FA01	Pilot air port Push-In 6/4, 1/4"
PP	PP (Polypropylene)	FA02	Pilot air port G1/8
PV	PVC-U (Polyvinyl chloride)	FA03	Interface ELEMENT control
VG	Stainless steel precision casting 1.4435/316L	<b>Key no. 10: Actuator (ANTR)</b>	
VH	Stainless steel block material 1.4435/316L	D050	Handwheel and attachment PPS
VI	Stainless steel block material 1.4435 BN2/316L ASME BPE	D051 <sup>1.)</sup>	Handwheel PPS and attachment St. St.
VP	Stainless steel tube 1.4435 BN2/316L	D052 <sup>2.)</sup>	Handwheel and attachment St. St.
VS	Stainless steel-forged 1.4435 BN2/316L ASME BPE	1.) Alternatively D058	
<b>Key no. 6: Port connection (LTA1, LTA2)</b>		2.) Alternatively D059 or D102	
Listed in detail below		<b>Key no. V1, V2, ...: Variable code (VAR1, VAR2, VAR3)</b>	
<b>Key no. 7: Actuator version (ANTA)</b>		NK52 <sup>3.)</sup>	Acceptance test certificate 3.1 according to EN 10204
C	PA actuator (only CLASSIC)	NO14 <sup>3.)</sup>	Mechanically polished Ra ≤ 0.5 µm (ASME BPE SF1)
D	PPS actuator (only CLASSIC)	NO17 <sup>3.)</sup>	Electropolished Ra ≤ 0.38 µm (ASME BPE SF4 / DIN HE4)
G	ELEMENT design actuator (only ELEMENT)	NO06 <sup>3.)</sup>	Mechanically polished Ra ≤ 0.76 µm (ASME BPE SF3 / DIN H2)
H	St. St. actuator (only INOX)	NO16 <sup>3.)</sup>	Electropolished Ra ≤ 0.6 µm (ASME BPE SF6)
		EC04	Reduced spring force
		3.) NK52, NOxx only for stainless steel bodies	

**Key no. 6: Port connection (LTA)**

Weld connection								
DN [mm]	EN ISO 1127 / ISO 4200 DIN 11866 R. B	SMS 3008	DIN 11850 R. 0	DIN 11850 R. 1	DIN 11850 R. 2 DIN 11866 R. A	DIN 11850 R. 3	BS4825	ASME BPE DIN 11866 R. C
4	-	-	SC40-6.0x1.0	-	-	-	-	-
6	SA78-10.2x1.6	-	SC41-8.0x1.0	-	-	-	-	SA89-3.17x0.56
8	SA40-13.5x1.6	-	SC42-10.0x1.0	-	-	-	SODB-6.35x1.2	SA90-6.35x0.89
10	SA41-17.2x1.6	-	-	SF40-12.0x1.0	SD40-13.0x1.5	SE40-14.0x2.0	SODC-9.53x1.2	SA91-9.53x0.89
15	SA42-21.3x1.6	SA58-12.0x1.0	SC43-18.0x1.5	SF41-18.0x1.0	SD42-19.0x1.5	SE42-20.0x2.0	SODD-12.7x1.2	SA92-12.7x1.65
20	SA43-26.9x1.6	SA59-18.0x1.0	SC44-22.0x1.5	SF42-22.0x1.0	SD43-23.0x1.5	SE43-24.0x2.0	SODE-19.05x1.2	SA93-19.05x1.65
25	SA44-33.7x2.0	SA60-25.0x1.2	SC45-28.0x1.5	SF43-28.0x1.0	SD44-29.0x1.5	SE44-30.0x2.0	-	SODF-25.4x1.65
32	SA45-42.4x2.0	SA61-33.7x1.2	SC46-34.0x1.5	SF44-34.0x1.0	SD45-35.0x1.5	SE45-36.0x2.0	-	-
40	SA46-48.3x2.0	SA62-38.0x1.2	SC47-40.0x1.5	SF45-40.0x1.0	SD46-41.0x1.5	SE46-42.0x2.0	-	SODH-38.1x1.65
50	SA47-60.3x2.0	SA63-51.0x1.2	SC48-52.0x1.5	SF46-52.0x1.0	SD47-53.0x1.5	SE47-54.0x2.0	-	SODI-50.8x1.65
65	SA48-76.1x2.0	SA64-63.5x1.6	-	-	SD48-70.0x2.0	-	-	SODJ-63.5x1.65
80	SA49-88.9x2.3	SA65-76.1x1.6	-	-	SD49-85.0x2.0	-	-	SODK-76.2x1.65
100	SA39-114.3x2.3	SA66-101.6x2.0	-	-	SD50-104.0x2.0	-	-	SODL-101.6x2.11

**Product Enquiry Form**  
**Diaphragm valve with straight**  
**way valve, T-valve or tank bottom**  
**valve**



Clamp connection					
DN [mm]	Clamp 34,0 similar to DIN 32676 R. B (ISO tube (ISO4200))	DIN 32676 R. A (DIN tube (DIN11850))	DIN 32676 R. B (ISO tube (ISO4200))	ASME BPE	BS 4825 (Clamp BS 4825-3, tube BS 4825-1)
8	TC51-13.5×1.6 Cl: 34.0	TD40-10.0×1.0 Cl: 25.0	TC40-13.5×1.6 Cl: 25.0	TG 50-6.35×0.89 Cl: 25.0	-
10	TC41-17.2×1.6 Cl: 34.0	TD41-13.0×1.5 Cl: 34.0	TC53-17.2×1.6 Cl: 25.0	TG 01-9.53×0.89 Cl: 25.0	-
15	TC42-21.3×1.6 Cl: 34.0	TD42-19,0×1.5 Cl: 34.0	TC52-21.3×1.6 Cl: 50.5	TG 02-12.7×1.65 Cl: 25.0	TH42-12.7×1.2 Cl: 25.0
20	-	TD43-23.0×1.5 Cl: 34.0	TC43-26.9×1.6 Cl: 50.5	TG 03-19.05×1.65 Cl: 25.0	TH43-19.05×1.2 Cl: 25.0
25	-	TD44-29.0×1.5 Cl: 50.5	TC44-33.7×2.0 Cl: 50.5	TG 04-25.4×1.65 Cl: 50.5	-
32	-	-	-	-	-
40	-	TD46-41.0×1.5 Cl: 50.5	TC46-48.3×2.0 Cl: 64.0	TG 05-38.1×1.65 Cl: 50.5	-
50	-	TD47-53.0×1.5 Cl: 64.0	TC47-60.3×2.0 Cl: 77.5	TG 06-50.8×1.65 Cl: 64.0	-
65	-	-	TC48-76.1×2.0 Cl: 91.0	TG 07-63.5×1.65 Cl: 77.5	-
80	-	-	TC49-88.9×2.3 Cl: 106.0	TG 08-76.2x,65 Cl: 91.0	-
100	-	-	TC50-114.3×2.3 Cl: 130.0	TG 09-101.6×2.11 Cl: 119.0	-

Plastic connection					
DN [mm]	Welded connection socket (only WKST=PD, PP)	Welded connection threaded socket (only WKST=PD, PP)	Adhesive bond socket (only WKST=PV)	Adhesive bond threaded socket (only WKST=PV)	Loose-type flange (up to DN65) Fixed flange (from DN80)
15	SS25 - ø20	SM25 - ø20	KS25 - ø20	KM25 - ø20	FL24
20	SS26 - ø25	SM26 - ø25	KS26 - ø25	KM26 - ø25	FL25
25	SS27 - ø32	SM27 - ø32	KS27 - ø32	KM27 - ø32	FL26
32	SS28 - ø40	SM28 - ø40	KS28 - ø40	KM28 - ø40	FL27
40	SS29 - ø50	SM29 - ø50	KS29 - ø50	KM29 - ø50	FL28
50	SS30 - ø63	SM30 - ø63	KS30 - ø63	KM30 - ø63	FL29
65	-	-	-	-	FL30
80	-	-	-	-	FF31
100	-	-	-	-	FF32

DTS 1000450606 EN Version: A Status: RL (released | freigegeben | valide) printed: 16.02.2021



