



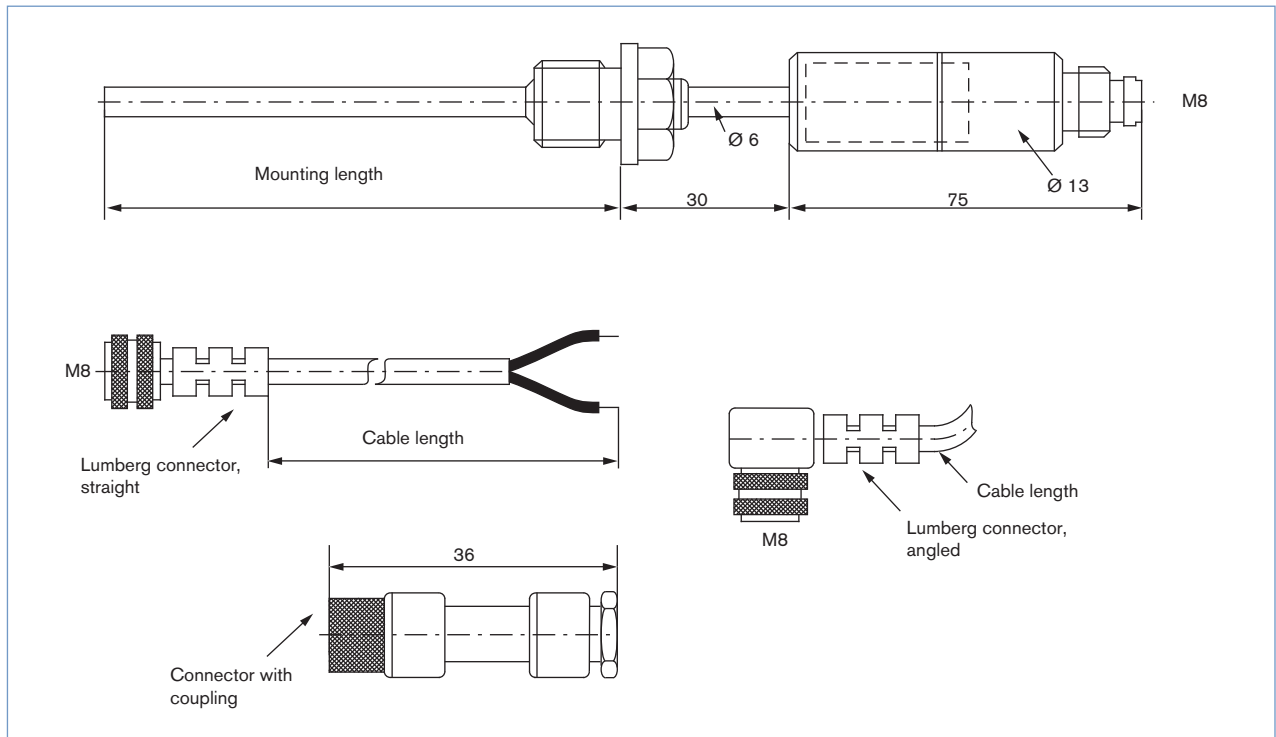
Resistance Thermometer Pt100

- With transmitter
- Wide range of applications for neutral and aggressive fluid

Temperature measuring with 1xPt100-temperature probe integrated in stainless steel tube; Measuring unit according DIN IEC 751 welded-in and not exchangeable.

Technical data	
Measuring range	0 up to +150°C
Accuracy	class B (ΔT [grad]= $\pm 0.3 \pm 0.005 T$ [°C].
Ambient temperature	max. +85°C
Output signal	4 up to 20 mA (correspond from 0 up to +150°C)
Measuring current	approx. 1 mA (film measuring resistor)
Circuit type	2-wire circuit
Electrical connections	Lumberg connector with/without cable
Protection class	IP 67 with connector
Protection tube material	Stainless steel 1.4571
Connection	External thread G 1/2 A

Dimensions [mm]



Ordering chart

Mounting length [mm]	Thread	Item no.
40	G 1/2	784 334
50	G 1/2	784 335

Ordering chart for accessories

Round connector, 4-pins, Lumberg	Cable length	Item no.
Straight	2 m	784 337
Straight	5 m	784 338
Angled	2 m	784 339
Angled	5 m	784 340
Connector with coupling	-	784 336

*To find your nearest Bürkert facility, click on the orange box →



In case of special application conditions, please consult for advice.

We reserve the right to make technical changes without notice.
© Christian Bürkert GmbH & Co. KG

1512/2_EN-en_00895089

